



MODEL: ST6451D02-A

Ver.2.1

Date: 24.Jan.2019

Customer's Approval	CSOT
Signature _____ Date _____	Approved By Product Director Date _____ Name: _____ Signature: _____
	Reviewed By PM Manager Date _____ Name: _____ Signature: _____
	Reviewed By Project Leader Date _____ Name: _____ Signature: _____
	Reviewed By PM Date _____ Name: _____ Signature: _____

Contents

1. General Description	5
1.1 Product Features	5
1.2 Overview	5
1.3 General Information	5
2. Absolute Maximum Ratings	6
2.1 Absolute Maximum Ratings (Ta = 25 ± 2 °C)	6
2.2 Environment Requirement	6
2.3 Package Storage	6
3. Electrical Specification	7
3.1 Electrical Characteristics	7
3.1.1 Power Consumption (Ta = 25 ± 2°C)	7
3.1.2 V by One Characteristic	8
3.1.3 V by One Input Signal Timing	9
3.1.4 Driver IC ESD spec	10
3.2 Temperature spec	10
4. Input Terminal Pin Assignment	11
4.1 Interface Pin Assignment	11
4.2 Flicker Pattern	13
4.3 Block Diagram of Interface	13
4.3.1 TFT LCD Panel	13
4.4 4K2K Data Format	14
4.5 Color Data Input Assignment	15
5. V-by-One Each Lane Timing Spec	16
5.1 Timing Table (DE Only Mode)	16
5.2 Power On/Off Sequence	18
6. Optical Characteristics	20
6.1 Measurement Conditions	20
6.2 Optical Specifications	21
7. Mechanical Characteristics	25
7.1 Mechanical Specification	25
7.2 Packing	错误!未定义书签。
7.2.1 Packing Specifications	错误!未定义书签。
7.2.2 Packing Method	错误!未定义书签。
8. Definition of Labels	27
8.1 Open Cell Label	27

8.2 Carton Label	27
8.3 Pallet Label	28
9. Precautions	29
9.1 Assembly and Handling Precautions	29
9.2 Safety Precautions	29

CSOT
Confidential

Revision History

Version	Date	Page (New)	Section	Description	Revision by
Ver.02	18/11/22	7	3.1.1	Update Current	Yuan Su
Ver 02	18/12/21	26	7.1	Revise the length of FPC	Yuan Su

CSOT
Confidential

1. General Description

1.1 Product Features

- QFHD Resolution (3840 x 2160)
- Very High Contrast Ratio:4000:1
- Fast Response Time
- High Color Saturation: 72% NTSC
- Ultra Wide Viewing Angle: 178° (H)/178° (V)(CR≥10)
- DE (Data Enable) Mode
- V by One Interface

1.2 Overview

ST6451D02-A is a diagonal 64.5”color active matrix open cell with 8 lanes V by one interface. This open cell is a transmissive type display operating in the normally black mode. It supports 3840x2160 QFHD resolution and can display up to 1.07G colors (8bit+FRC). Each pixel is divided into Red, Green and Blue sub-pixels which are arranged in vertical stripe.

This open cell dedicates for LCD TV products and provides excellent performance which includes high brightness, ultra wide viewing angle, high color saturation and high color depth. CSOT open cell comply with ROHS for identification.

1.3 General Information

Item	Specification	Unit	Note
Active Area	1428.48 (H)x803.52 (V)	mm	
Cell Size	1438.48(H)x 815.02(V)	mm	
Weight	3.67	kg	
Driving Scheme	a-Si TFT Active Matrix	-	
Number of Pixels	3840x2160	pixel	
Pixel Pitch (Sub Pixel)	0.124(H)x 0.372(V)	mm	
Pixel Arrangement	RGB Vertical Stripe	-	
Display Colors	1.07G	color	8bit+FRC
Display Mode	Transmissive Mode, Normally Black	-	
Glass Thickness (Array/CF)	0.5/0.5	mm	
Color Chromaticity	Red (0.640, 0.332) Green (0.293,0.621) Blue (0.153,0.055) White (0.256 ,0.266)		
Contrast Ratio	4000:1(Typ.)		
Cell Transmittance	5.0 (Typ.)	%	
View Angle(CR>10)	178° (H)/178° (V)		
Surface Treatment	Anti-Glare, Haze 2%, Hard Coating(3H)		

2. Absolute Maximum Ratings

2.1 Absolute Maximum Ratings ($T_a = 25 \pm 2 \text{ }^\circ\text{C}$)

The followings are maximum values which, if exceeded, may cause damage to the unit.

Item	Symbol	Value		Unit
		Min.	Max.	
Power Supply Voltage	V_{CC}	-0.3	13.5	V
Input Signal Voltage	V_{IN}	-0.3	3.6	V

2.2 Environment Requirement

(1) Temperature and relative humidity range are shown as below

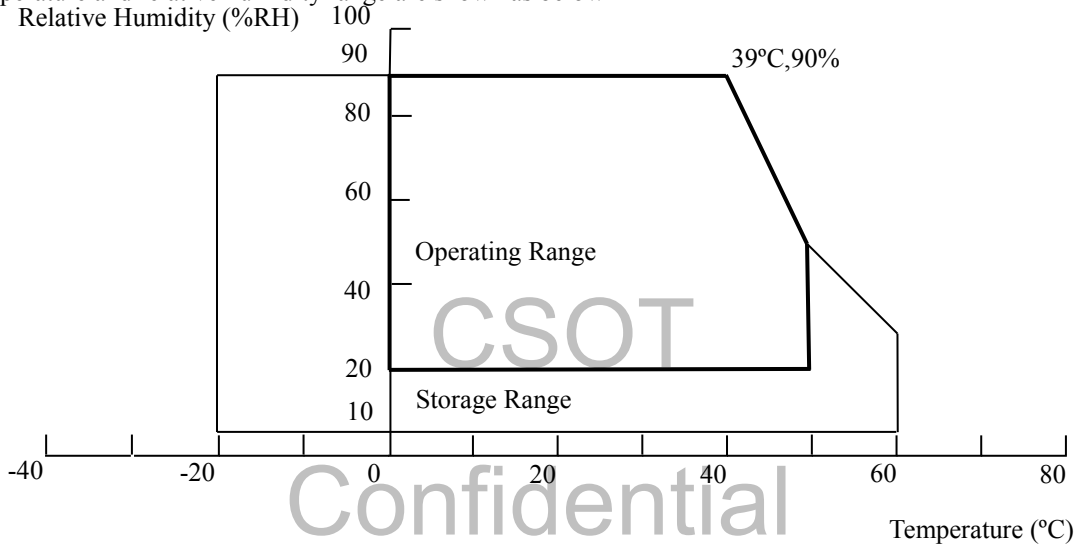


Fig. 2.1 Operating and storage environment

- (a) 90%RH maximum ($T_a \leq 39^\circ\text{C}$).
- (b) Wet-bulb temperature should be 39°C maximum ($T_a > 39^\circ\text{C}$).
- (c) No condensation.

(2) The storage temperature is between $-20 \text{ }^\circ\text{C}$ to $60 \text{ }^\circ\text{C}$, and the operating ambient temperature is between $0 \text{ }^\circ\text{C}$ to $50 \text{ }^\circ\text{C}$.

The maximum operating temperature is based on the test condition that the surface temperature of display area is less than or equal to 65°C with LCD module in a temperature controlled chamber alone. Thermal management should be considered in final product design to prevent the surface temperature of display area from being over 65°C . The range of operating temperature may degrade in case of improper thermal management in the end product design.

(3) The rating of environment is based on LCD module. Leave LCD cell alone, this environment condition can't be guaranteed.

Except LCD cell, the customer has to consider the ability of other parts of LCD module and LCD module process.

2.3 Package Storage

When storing open cell as spares for a long time, please follow the precaution instructions:

- (1) Do not store the open cell in high temperature and high humidity for a long time. It is highly recommended to store the module with temperature from 20°C to 30°C in normal humidity ($50 \pm 10\% \text{RH}$) with shipping package.
- (2) The open cell should be kept within one month shelf life.

3. Electrical Specification

3.1 Electrical Characteristics

3.1.1 Power Consumption ($T_a = 25 \pm 2^\circ\text{C}$)

Parameter		Symbol	Value			Unit	Note
			Min.	Typ.	Max.		
Power Supply Voltage		V_{CC}	10.8	12.0	13.2	V	(1)
Rush Current		I_{RUSH}	-	-	3.5	A	(2)
Power Supply Current	White Pattern	I_{cc}	-	0.6	0.78	A	(3)
	Horizontal Stripe	I_{cc}	-	1.6	2.08	A	
	Black Pattern	I_{cc}	-	0.5	0.65	A	

Note:

(1)The ripple voltage should be controlled less than10% of V_{CC} .

(2)Measurement condition: V_{CC} rising time= $470\mu\text{s}$.

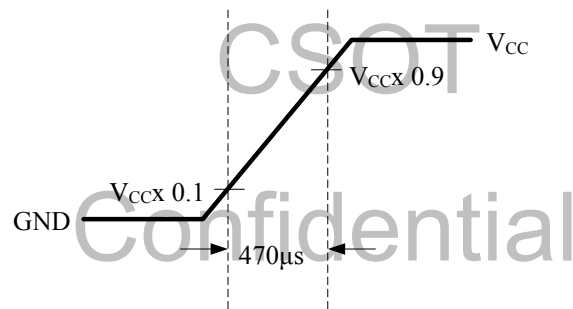


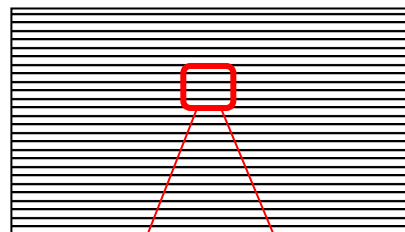
Fig. 3.1 V_{CC} rising time condition

(3)Measurement condition: $V_{CC}=12\text{V}$, $T_a = 25 \pm 2^\circ\text{C}$, $F = 60\text{Hz}$. The test patterns are shown as below.

A. White Pattern



B. Horizontal Pattern



C. Black Pattern

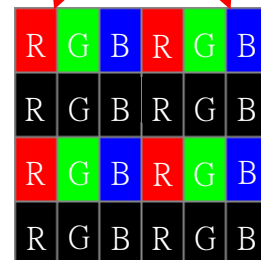


Fig. 3.2 Test patterns

3.1.2 V by One Characteristic

Parameter		Symbol	Value			Unit	Note
			Min.	Typ.	Max.		
V by one Interface	Differential Input High Threshold Voltage	V_{TH}	-	-	+50	mV	
	Differential Input Low Threshold Voltage	V_{TL}	-50	-	-	mV	
	Intra-pair Skew	TTOSK_intra	-0.3	-	0.3	UI	(1)
	Inter-pair Skew	TTOSK_inter	-5	-	5	UI	(2)
	Spread Spectrum Modulation range	30KHz modulation	-0.5		+0.5	%	(3)
	Differential Input Swing Voltage	V	200		400	mV	
CMOS Interface	Input High Threshold Voltage	V_{IH}	2.4	-	3.3	V	
	Input Low Threshold Voltage	V_{IL}	0	-	0.6	V	

Note:

(1) Intra-pair skew

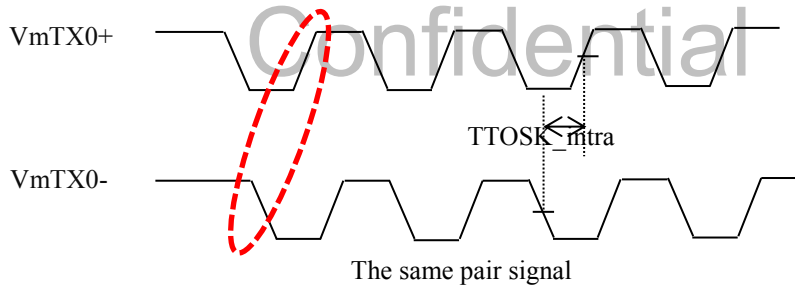


Fig. 3.3 V by one Intra-pair skew

(2) Inter-pair skew

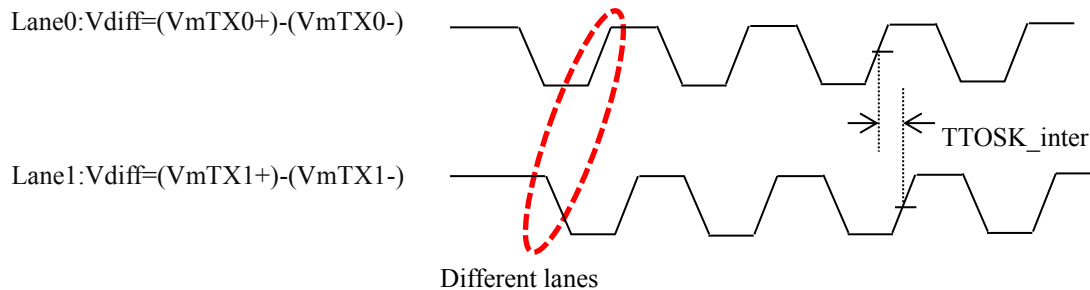


Fig. 3.4 V by one Inter-pair skew

(3) The V by one SSM's suggestion is off by default, SOC board must test all validations if SOC board enable the V by one SSM.

3.1.3 V by One Input Signal Timing

Item	X(UI)	Y(mV)	Note
A	0.25	0	(1)
B	0.3	50	(1)
C	0.7	50	(1)
D	0.75	0	(1)
E	0.7	-50	(1)
F	0.3	-50	(1)

Note:

(1)

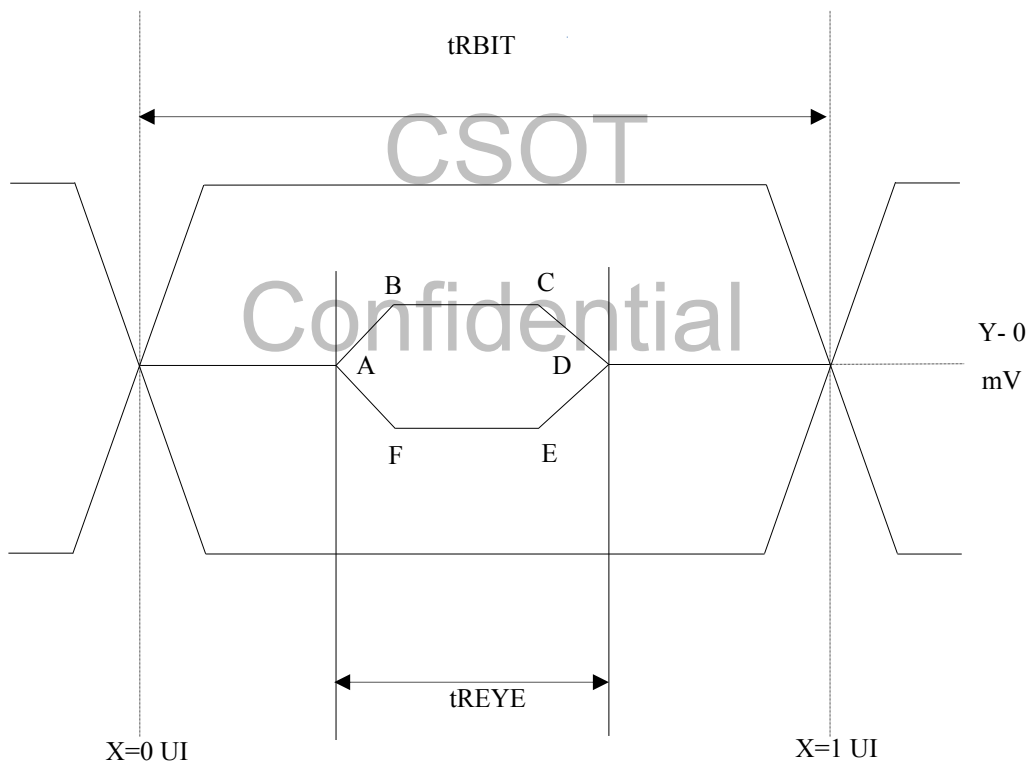


Fig. 3.5 V by one input signal timing

3.1.4 Driver IC ESD spec

The Electro-Static Discharge tolerance of Source COF IC is $\pm 2\text{KV}$ tested by ESD Gun. Especially if the LCD module is designed with the Plastic Bezel, we suggest ESD protection solutions **must be** applied to avoid damaged, as shown in Fig.3.6.

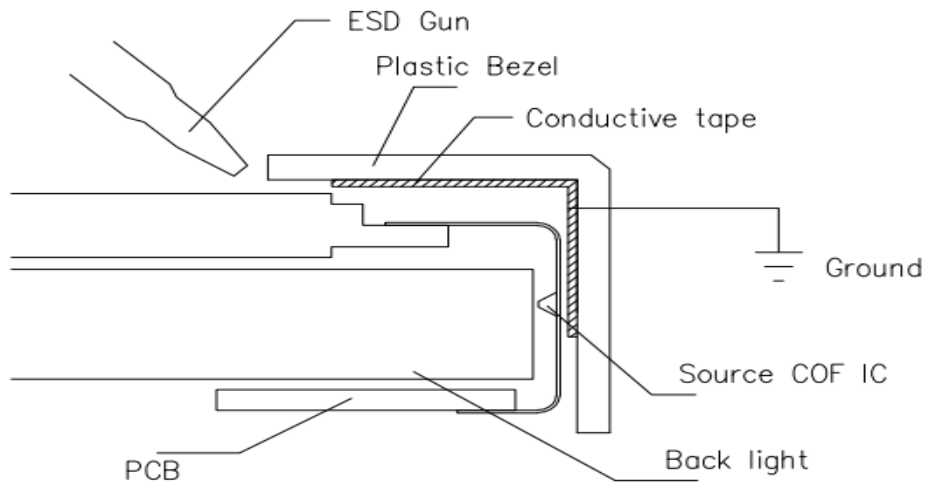


Fig. 3.6 Source COF IC ESD protection

3.2 Temperature spec

Parameter	Symbol	Spec			Unit	Note
		Min.	Typ.	Max.		
Source driver	T_c	-	-	125	$^{\circ}\text{C}$	(1)
PMIC	T_c	-	-	100	$^{\circ}\text{C}$	(1)
TCON	T_c	-	-	100	$^{\circ}\text{C}$	(1)

Note:

- (1) Any point on the IC's surface must be less than T_c under any conditions, if the surface temperature is out of the spec, thermal solutions should be applied to avoid the damage.

4. Input Terminal Pin Assignment

4.1 Interface Pin Assignment

CN1: 0-51162213-5 (XDYT) or equivalent

Pin No.	Symbol	Description	Note
1	VCC	Power 12V in	
2	VCC	Power 12V in	
3	VCC	Power 12V in	
4	VCC	Power 12V in	
5	VCC	Power 12V in	
6	VCC	Power 12V in	
7	VCC	Power 12V in	
8	VCC	Power 12V in	
9	NC	No Connection	(3)
10	GND	Ground	
11	GND	Ground	
12	GND	Ground	
13	GND	Ground	
14	GND	Ground	
15	NC	No Connection	(3)
16	NC	No Connection	(3)
17	NC	No Connection	(3)
18	NC	No Connection	(3)
19	NC	No Connection	(3)
20	NC	No Connection	(3)
21	NC	No Connection	(3)
22	NC	No Connection	(3)
23	NC	No Connection	(3)
24	GND	Ground	
25	HTPDN	Hot Plug Detect	
26	LOCKN	Lock Detect	
27	GND	Ground	
28	Rx0N	Vx1 Lane0-	
29	Rx0P	Vx1 Lane0+	
30	GND	Ground	
31	Rx1N	Vx1 Lane1-	

32	Rx1P	Vx1 Lane1+	
33	GND	Ground	
34	Rx2N	Vx1 Lane2-	
35	Rx2P	Vx1 Lane2+	
36	GND	Ground	
37	Rx3N	Vx1 Lane3-	
38	Rx3P	Vx1 Lane3+	
39	GND	Ground	
40	Rx4N	Vx1 Lane4-	
41	Rx4P	Vx1 Lane4+	
42	GND	Ground	
43	Rx5N	Vx1 Lane5-	
44	Rx5P	Vx1 Lane5+	
45	GND	Ground	
46	Rx6N	Vx1 Lane6-	
47	Rx6P	Vx1 Lane6+	
48	GND	Ground	
49	Rx7N	Vx1 Lane7-	
50	Rx7P	Vx1 Lane7+	
51	GND	Ground	

(1) The direction of pin assignment is shown as below:

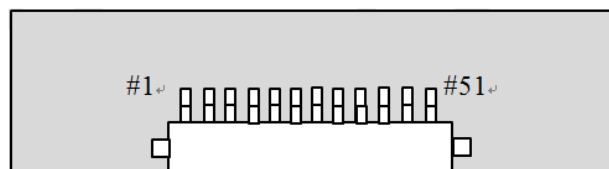
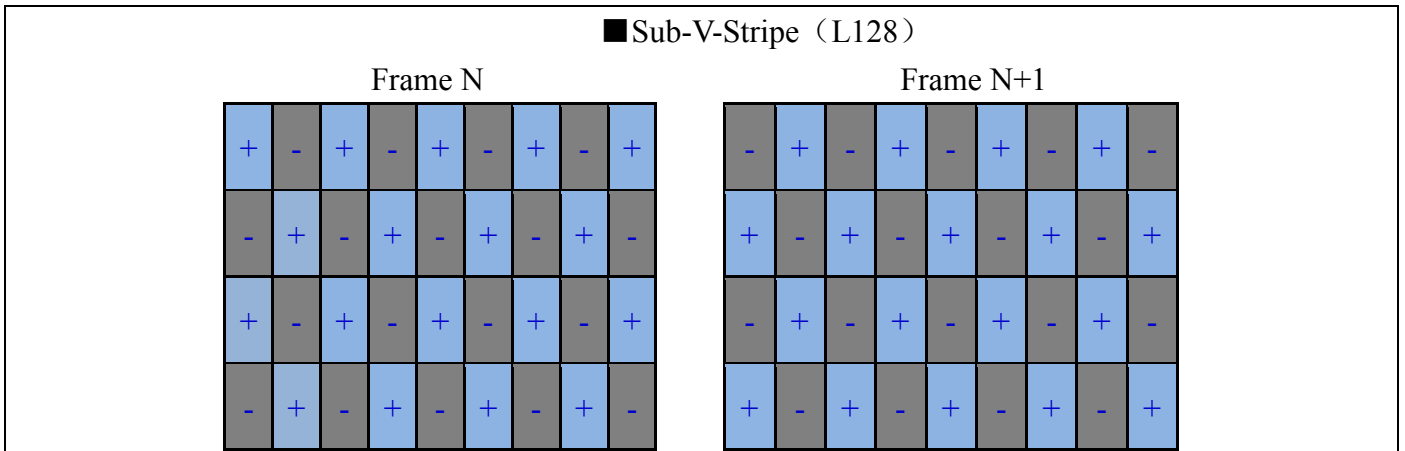


Fig. 4.1.1 Connector direction sketch map

(2) L = Connect to GND, H = Connect to +3.3V

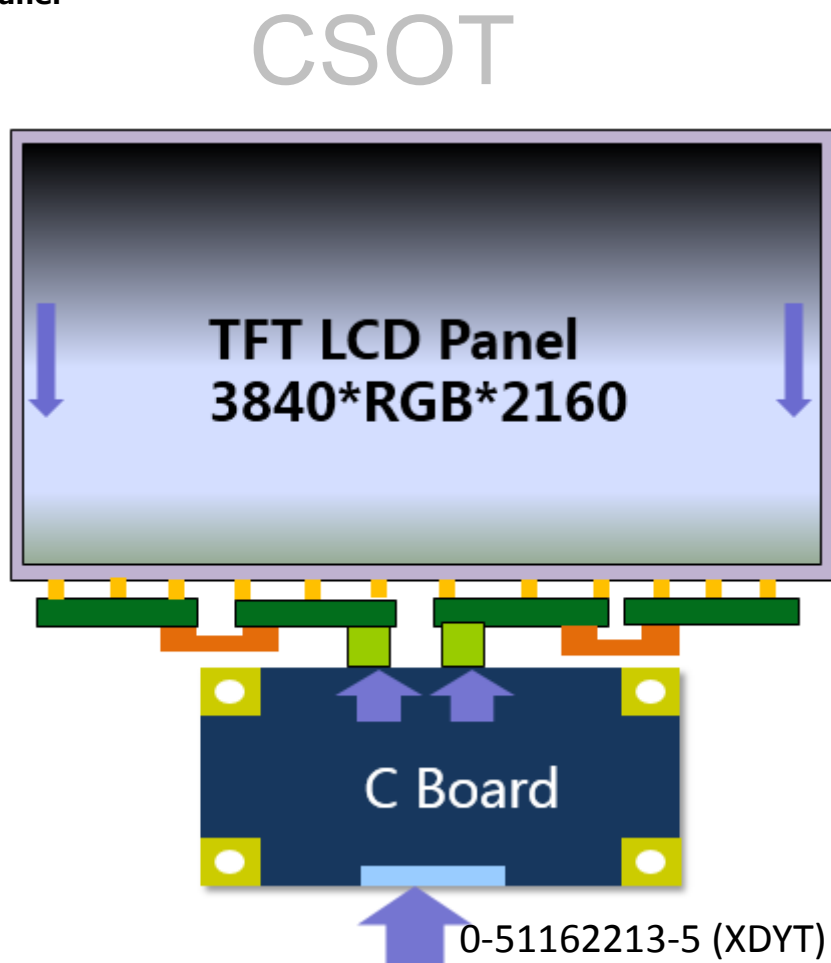
(3) This pin is for CSOT use only, please let it open

4.2 Flicker Pattern



4.3 Block Diagram of Interface

4.3.1 TFT LCD Panel



4.4 4K2K Data Format

V by One Data Mapping

Area	Lane	Data Stream
Left	Lane 0	Pixel 1, 5, 9,,1913, 1917
	Lane 1	Pixel 2, 6, 10,,1914, 1918
	Lane 2	Pixel 3, 7, 11,,1915, 1919
	Lane 3	Pixel 4, 8, 12,,1916, 1920
Right	Lane 4	Pixel 1921, 1925, 1929,,3833, 3837
	Lane 5	Pixel 1922, 1926, 1930,,3834, 3838
	Lane 6	Pixel 1923, 1927, 1931,,3835, 3839
	Lane 7	Pixel 1924, 1928, 1932,,3836, 3840

2D Mode:

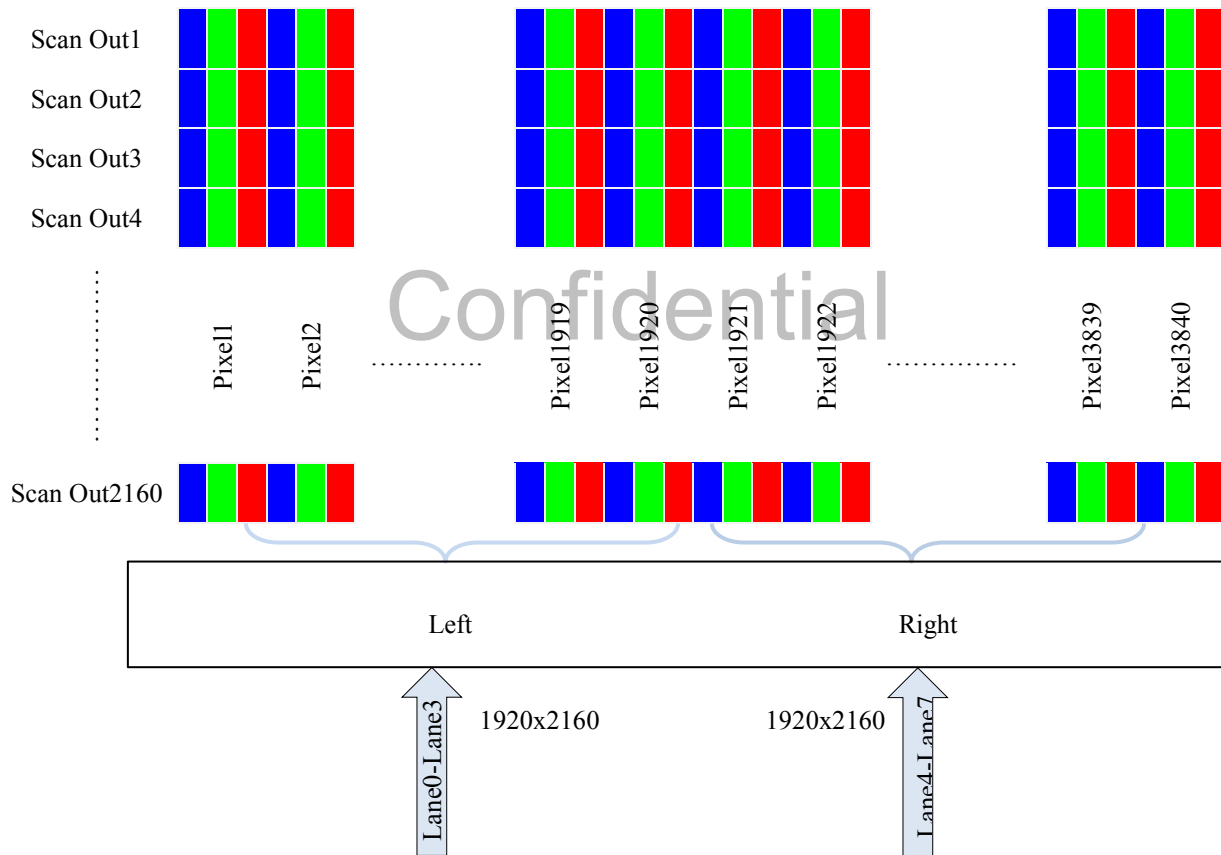


Fig. 4.3 2D data format

4.5 Color Data Input Assignment

The brightness of each primary color is based on the 10-bit gray scale data input for each color. The higher the binary input, the brighter the color. The table below provides the assignment of the color versus.

Data Input Color		Data Signal																											
		Red										Green										Blue							
		MSB					LSB					MSB					LSB					MSBLSB							
		R9	R8	R7	R6	R5	R4	R3	R2	R1	R0	G9	G8	G7	G6	G5	G4	G3	G2	G1	G0	B9	B8	B7	B6	B5	B4	B3	B2
Basic Colors	Black	0	0	0	0	0	0	0	0	0	0	0	0	0	0	0	0	0	0	0	0	0	0	0	0	0	0	0	0
	Red(1023)	1	1	1	1	1	1	1	1	1	0	0	0	0	0	0	0	0	0	0	0	0	0	0	0	0	0	0	0
	Green(1023)	0	0	0	0	0	0	0	0	0	1	1	1	1	1	1	1	1	1	1	0	0	0	0	0	0	0	0	0
	Blue(1023)	0	0	0	0	0	0	0	0	0	0	0	0	0	0	0	0	0	0	0	1	1	1	1	1	1	1	1	1
	Cyan	0	0	0	0	0	0	0	0	0	1	1	1	1	1	1	1	1	1	1	1	1	1	1	1	1	1	1	1
	Magenta	1	1	1	1	1	1	1	1	1	0	0	0	0	0	0	0	0	0	0	1	1	1	1	1	1	1	1	1
	Yellow	1	1	1	1	1	1	1	1	1	1	1	1	1	1	1	1	1	1	1	0	0	0	0	0	0	0	0	0
	White	1	1	1	1	1	1	1	1	1	1	1	1	1	1	1	1	1	1	1	1	1	1	1	1	1	1	1	1
GrayScale of Red	Red(000)	0	0	0	0	0	0	0	0	0	0	0	0	0	0	0	0	0	0	0	0	0	0	0	0	0	0	0	
	Red(001)	0	0	0	0	0	0	0	0	1	0	0	0	0	0	0	0	0	0	0	0	0	0	0	0	0	0	0	
	:	:	:	:	:	:	:	:	:	:	:	:	:	:	:	:	:	:	:	:	:	:	:	:	:	:	:	:	
	:	:	:	:	:	:	:	:	:	:	:	:	:	:	:	:	:	:	:	:	:	:	:	:	:	:	:	:	
	Red(1022)	1	1	1	1	1	1	1	1	1	0	0	0	0	0	0	0	0	0	0	0	0	0	0	0	0	0	0	
Red(1023)	1	1	1	1	1	1	1	1	1	0	0	0	0	0	0	0	0	0	0	0	0	0	0	0	0	0	0	0	
GrayScale of Green	Green(000)	0	0	0	0	0	0	0	0	0	0	0	0	0	0	0	0	0	0	0	0	0	0	0	0	0	0	0	
	Green(001)	0	0	0	0	0	0	0	0	0	0	0	0	0	0	0	0	0	0	1	0	0	0	0	0	0	0	0	
	:	:	:	:	:	:	:	:	:	:	:	:	:	:	:	:	:	:	:	:	:	:	:	:	:	:	:	:	
	:	:	:	:	:	:	:	:	:	:	:	:	:	:	:	:	:	:	:	:	:	:	:	:	:	:	:	:	
	Green(1022)	0	0	0	0	0	0	0	0	0	1	1	1	1	1	1	1	1	1	0	0	0	0	0	0	0	0	0	
Green(1023)	0	0	0	0	0	0	0	0	0	1	1	1	1	1	1	1	1	1	1	0	0	0	0	0	0	0	0		
GrayScale of Blue	Blue(000)	0	0	0	0	0	0	0	0	0	0	0	0	0	0	0	0	0	0	0	0	0	0	0	0	0	0	0	
	Blue(001)	0	0	0	0	0	0	0	0	0	0	0	0	0	0	0	0	0	0	0	0	0	0	0	0	0	0	1	
	:	:	:	:	:	:	:	:	:	:	:	:	:	:	:	:	:	:	:	:	:	:	:	:	:	:	:	:	
	:	:	:	:	:	:	:	:	:	:	:	:	:	:	:	:	:	:	:	:	:	:	:	:	:	:	:	:	
	Blue(1022)	0	0	0	0	0	0	0	0	0	0	0	0	0	0	0	0	0	0	0	1	1	1	1	1	1	1	0	
Blue(1023)	0	0	0	0	0	0	0	0	0	0	0	0	0	0	0	0	0	0	0	1	1	1	1	1	1	1	1		

Attention:

0: Low level voltage; 1: High level voltage.

5. V-by-One Each Lane Timing Spec

5.1 Timing Table (DE Only Mode)

2D Mode, Frame Rate=60Hz

Signal	Item	Symbol	Min.	Typ.	Max.	Unit	Note
Frequency		F_{CLK} (= 1 / T_{CLK})	71.75	74.25	76.75	MHz	(1)
Frame Rate		F	58	60	62	Hz	
Vertical Term	Total	T_V	2200	2250	2350	T_H	$T_V = T_{VD} + T_{VB}$
	Display	T_{VD}	2160				
	Blank	T_{VB}	40	90	190	T_H	
Horizontal Term	Total	T_H	540	550	600	T_{CLK}	$T_H = T_{HD} + T_{HB}$
	Display	T_{HD}	480				
	Blank	T_{HB}	60	70	120	T_{CLK}	

2D Mode, Frame Rate=50Hz

Signal	Item	Symbol	Min.	Typ.	Max.	Unit	Note
Frequency		F_{CLK} (= 1 / T_{CLK})	71.75	74.25	76.75	MHz	(1)
Frame Rate		F	48	50	52	Hz	
Vertical Term	Total	T_V	2200	2700	2760	T_H	$T_V = T_{VD} + T_{VB}$
	Display	T_{VD}	2160			T_H	
	Blank	T_{VB}	40	540	600	T_H	
Horizontal Term	Total	T_H	540	550	600	T_{CLK}	$T_H = T_{HD} + T_{HB}$
	Display	T_{HD}	480			T_{CLK}	
	Blank	T_{HB}	60	70	120	T_{CLK}	

Attention:

The module is operated in DE only mode, Hsync and Vsync input signal have no effect on normal operation.

Note:

(1) Please make sure the range of pixel clock follows the following equations:

$$F_{clk}(max) \geq F_{max} \times T_v \times T_h$$

$$F_{min} \times T_v \times T_h \geq F_{clk}(min)$$

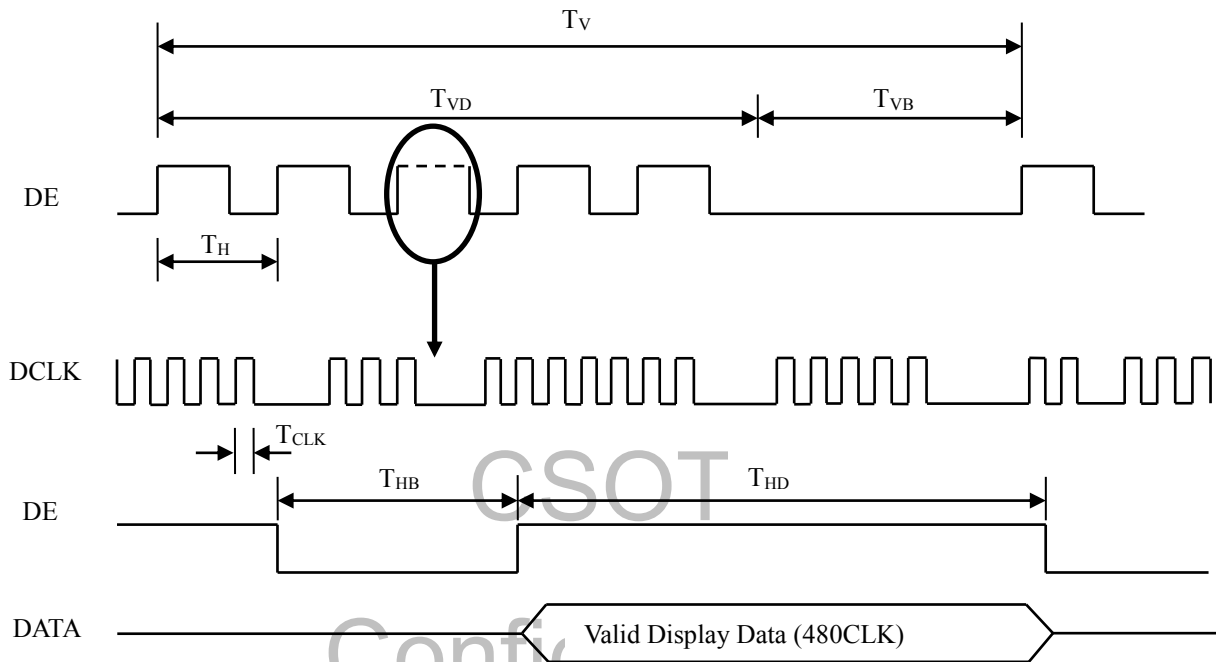


Fig. 5.1 Interface signal timing diagram

5.2 Power On/Off Sequence

5.2.1 Power On/Off Sequence diagram

To prevent a latch-up or DC operation of LCD module, the power on/off change signal sequence should be as the diagram below.

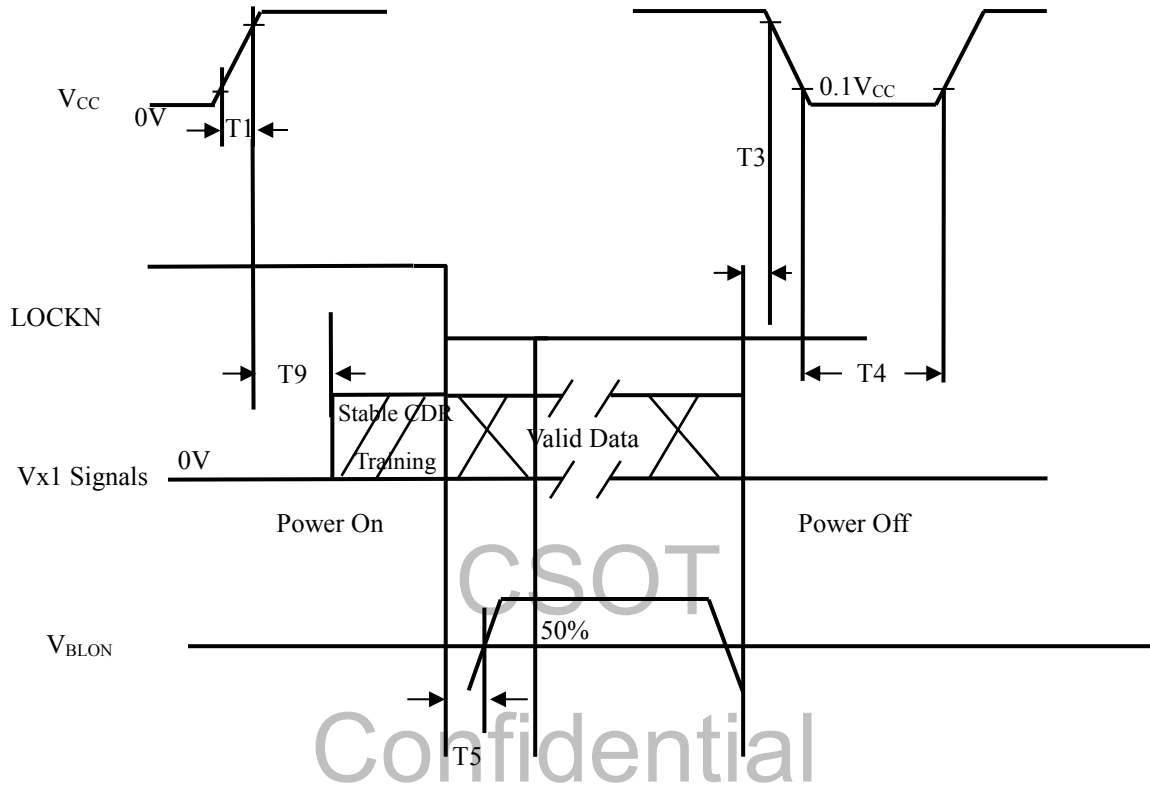
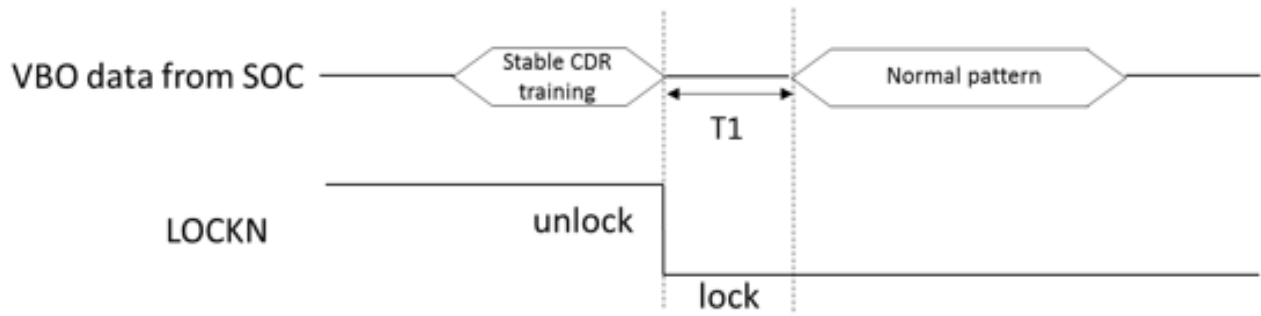


Fig. 5.2 Power on/off change signal sequence

Parameter	Values			Unit
	Min.	Typ.	Max.	
T1	0.5	-	10.0	ms
T3	0	-	-	ms
T4	1000	-	-	ms
T5	500	-	-	ms
T9	50	-	-	ms

5.2.2 CDR training



Item	Definition	Min.	Typ.	Max.	Unit
T1	Time from LOCKN low to the transmitter of normal pattern	-	-	300	us

Attention:

- (1) Apply the light bar voltage within the LCD operation range. When the backlight turns on before the LCD operation or the LCD turns off before the backlight turns off, the display may momentarily become abnormal screen.
- (2) In case that V_{CC} is in off level, please keep the level of input signals on the low or high impedance. If $T2 < 0$, that may cause electrical overstress.
- (3) $T4$ should be measured after the module has been fully discharged between power off and on period.
- (4) Interface signal shall not be kept at high impedance when the power is on.
- (5) The product should be always operated within above ranges.
- (7) During the first 2s after $T5$, the T-con's output is black pattern.

6. Optical Characteristics

6.1 Measurement Conditions

The table below is the test condition of optical measurement.

Item	Symbol	Value	Unit
Ambient Temperature	T_A	25 ± 2	$^{\circ}\text{C}$
Ambient Humidity	H_A	50 ± 10	%RH
Supply Voltage	V_{CC}	12	V
Driving Signal	Refer to the typical value in Chapter 3: Electrical Specification		
Vertical Refresh Rate	F_R	60	Hz

To avoid abrupt temperature change during optical measurement, it's suggested to warm up the LCD module more than 60 minutes after lighting the backlight and in the windless environment.

To measure the LCD module, it is suggested to set up the standard measurement system as Fig. 7.1. The measuring area S should contain at least 500 pixels of the LCD module as illustrated in Fig.7.2(A means the area allocated to one pixel).In this model, for example, the minimum measuring distance Z is 370mm when θ is 2 degree. Hence, 500mm is the typical measuring distance. This measuring condition is referred to 301-2H of VESA FPDM 2.0 about viewing distance, angle, and angular field of view definition.

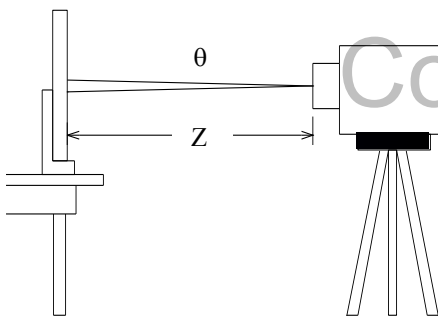


Fig. 6.1 The standard set-up system of measurement

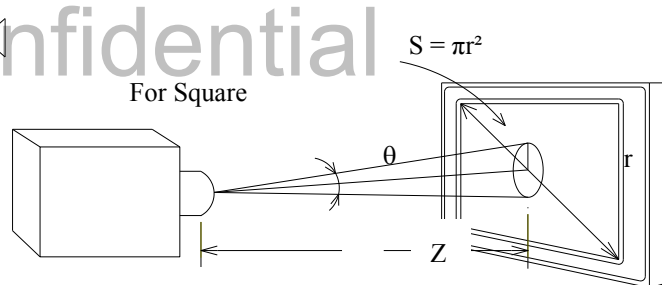


Fig. 6.2 The area S contains at least 500 pixels to be measured

$$N = \frac{S}{A} \geq 500 \text{ pixels}$$

N means the actual number of the pixels in the area S .

6.2 Optical Specifications

The table below of optical characteristics is measured by MINOLTA CS2000,MINOLTA CA310,ELDIM OPTIScope-SA and ELDIM EZContrast in dark room.

Item		Symbol	Condition	Min.	Typ.	Max.	Unit	Note
Static Contrast Ratio		CR	$\theta_H=0^\circ, \theta_V=0^\circ$ Normal direction at center point CSOT's module: MT6451D02	-	4000	-	-	(1)(2)
Response Time		T_L		-	6.5	12	ms	(3)OPTIScope -SA
Center Transmittance		T%		-	5%			(2) (4)
Crosstalk		CT		-	-	4%	-	(2) (5)
Color Chromaticity (CIE1931)	Red	R_X		Typ. -0.03	Typ. +0.03	0.640	-	(2) (6)
		R_Y				0.332	-	
	Green	G_X				0.293	-	
		G_Y				0.621	-	
	Blue	B_X				0.153	-	
		B_Y				0.055	-	
	White	W_X	0.256			-		
		W_Y	0.266			-		
Color Gamut		CG	-	72	-	% NTSC	(2) (6)	
Viewing Angle	Horizontal	θ_{H+}	-	89	-	Deg.	(7)	
		θ_{H-}	-	89	-			
	Vertical	θ_{V+}	-	89	-			
		θ_{V-}	-	89	-			

Note:

(1) Definition of static contrast ratio (CR):

It's necessary to switch off all the dynamic and dimming function when measuring the static contrast ratio.

$$\text{Static Contrast Ratio (CR)} = \frac{\text{CR-W}}{\text{CR-D}}$$

CR-W is the luminance measured by LMD (light-measuring device) at the center point of the LCD module with full-screen displaying white. The standard setup of measurement is illustrated in Fig. 6.3; CR-D is the luminance measured by LMD at the center point of the LCD module with full-screen displaying black.

(2) The LMD in the item could be a spectroradiometer such as (KONICA MINOLTA) CS2000, CS1000, (TOPCON) SR-UL2 or the same level spectroradiometer. Other display color analyzer (KONICA MINOLTA) CA210, CA310 or (TOPCON) BM-7 could be involved after being calibrated with a spectroradiometer on each stage of a product.

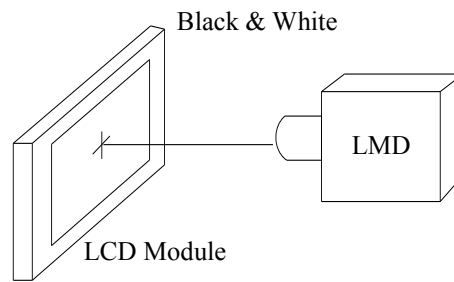
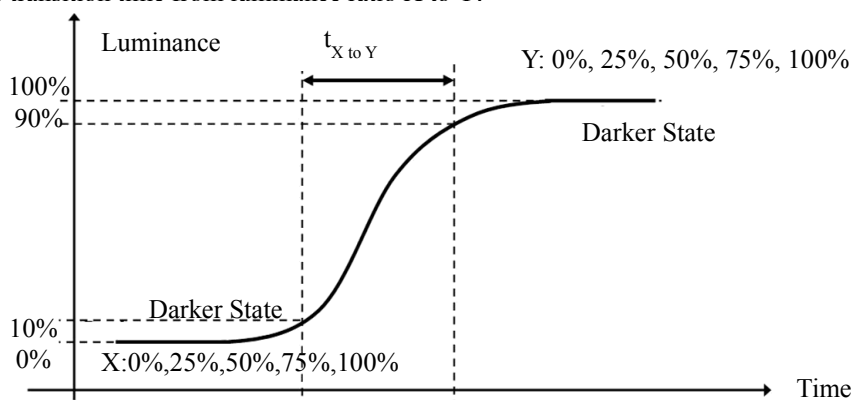


Fig. 6.3 The standard setup of CR measurement

(3) Response time T_L is defined as the average transition time in the response time matrix. The table below is the response time matrix in which each element $t_{X \text{ to } Y}$ is the transition time from luminance ratio X to Y . X and Y are two different luminance ratios among 0%, 25%, 50%, 75%, and 100% luminance. The transition time $t_{X \text{ to } Y}$ is defined as the time taken from 10% to 90% of the luminance difference between X and Y ($X < Y$) as illustrated in Fig 6.4. When $X > Y$, the definition of $t_{X \text{ to } Y}$ is the time taken from 90% to 10% of the luminance difference between X and Y . The response time is optimized on refresh rate $F_R = 60\text{Hz}$.

Measured Transition Time		Luminance Ratio of Previous Frame				
		0%	25%	50%	75%	100%
Luminance Ratio of Current Frame	0%		$t_{25\% \text{ to } 0\%}$	$t_{50\% \text{ to } 0\%}$	$t_{75\% \text{ to } 0\%}$	$t_{100\% \text{ to } 0\%}$
	25%	$t_{0\% \text{ to } 25\%}$		$t_{50\% \text{ to } 25\%}$	$t_{75\% \text{ to } 25\%}$	$t_{100\% \text{ to } 25\%}$
	50%	$t_{0\% \text{ to } 50\%}$	$t_{25\% \text{ to } 50\%}$		$t_{75\% \text{ to } 50\%}$	$t_{100\% \text{ to } 50\%}$
	75%	$t_{0\% \text{ to } 75\%}$	$t_{25\% \text{ to } 75\%}$	$t_{50\% \text{ to } 75\%}$		$t_{100\% \text{ to } 75\%}$
	100%	$t_{0\% \text{ to } 100\%}$	$t_{25\% \text{ to } 100\%}$	$t_{50\% \text{ to } 100\%}$	$t_{75\% \text{ to } 100\%}$	

$t_{X \text{ to } Y}$ means the transition time from luminance ratio X to Y .

FIG. 6.4 THE DEFINITION OF $t_{X \text{ to } Y}$

All the transition time is measured at the center point of the LCD module by ELDIM OPTI Scope-SA.

(4) Definition of center Transmittance ($T\%$):

The transmittance is measured with full white pattern (Gray 255)

$$\text{Static Contrast Ratio (CR)} = \frac{\text{Luminance of LCD module}}{\text{Luminance of backlight}}$$

(5) Definition of crosstalk:

$$\text{CT} = \frac{|Y_B - Y_A|}{Y_A} \times 100 (\%)$$

YA = Luminance of measured location without gray level 255 pattern (cd/m²)
 YB = Luminance of measured location with gray level 255 pattern (cd/m²)

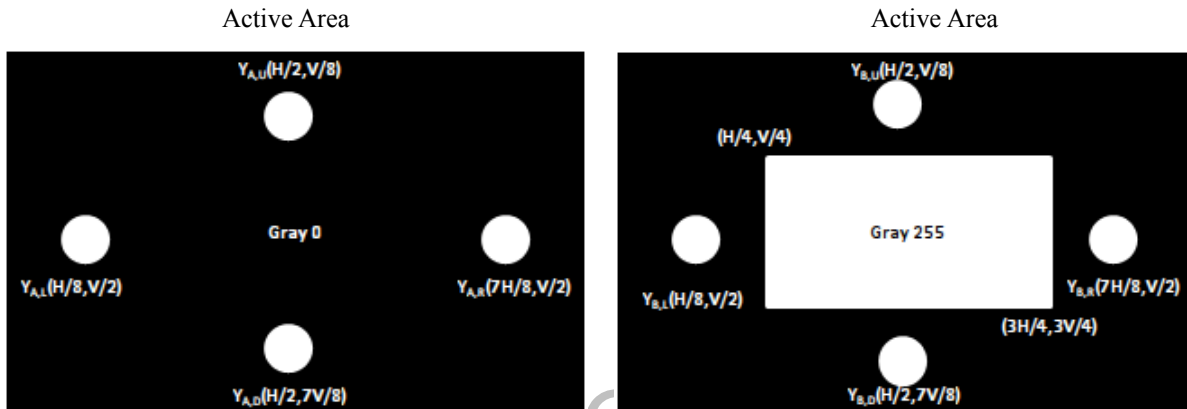


Fig. 6.5 The definition of 2D mode crosstalk

(6) Definition of color chromaticity:

Each chromaticity coordinates (x, y) are measured in CIE1931 color space when full-screen displaying primary color R, G, B and white. The color gamut is defined as the fraction in percent of the area of the triangle bounded by R, G, B coordinates and the area is defined by NTSC 1953 color standard in the CIE color space. Chromaticity coordinates are measured by CS2000 and the standard setup of measurement is shown in Fig. 6.7.

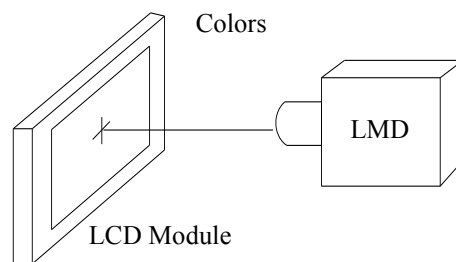


Fig. 6.7 The standard setup of color chromaticity measurement

(7) Definition of viewing angle coordinate system (θ_H, θ_V):

The contrast ratio is measured at the center point of the LCD module. The viewing angles are defined at the angle that the contrast ratio is larger than 10 at four directions relative to the perpendicular direction of the LCD module (two vertical angles: up θ_{V+} and down θ_{V-} ; and two horizontal angles: right θ_{H+} and left θ_{H-}) as illustrated in Fig. 6.8. The contrast ratio is measured by ELDIM EZ Contrast.

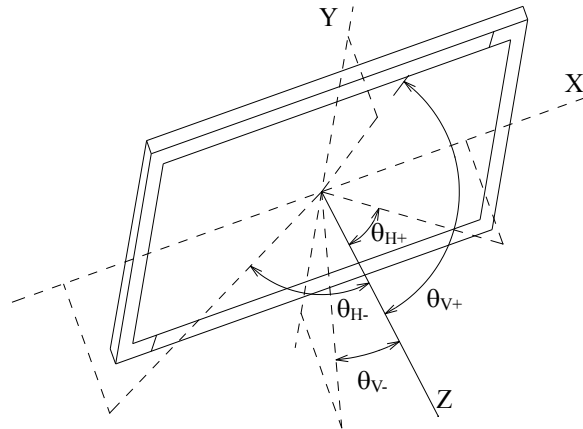
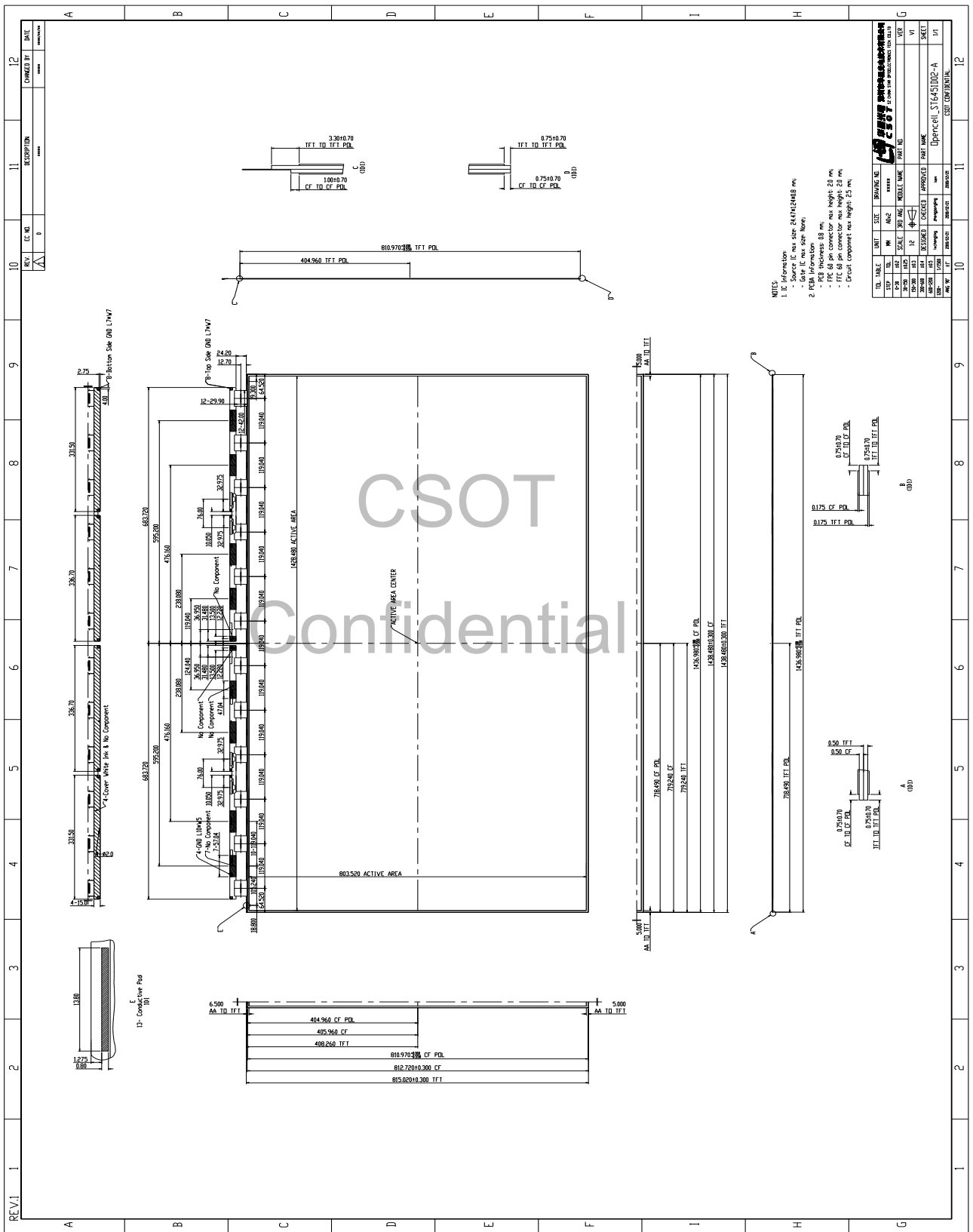


Fig. 6.8 Viewing angle coordination system

CSOT
Confidential

7. Mechanical Characteristics

7.1 Mechanical Specification

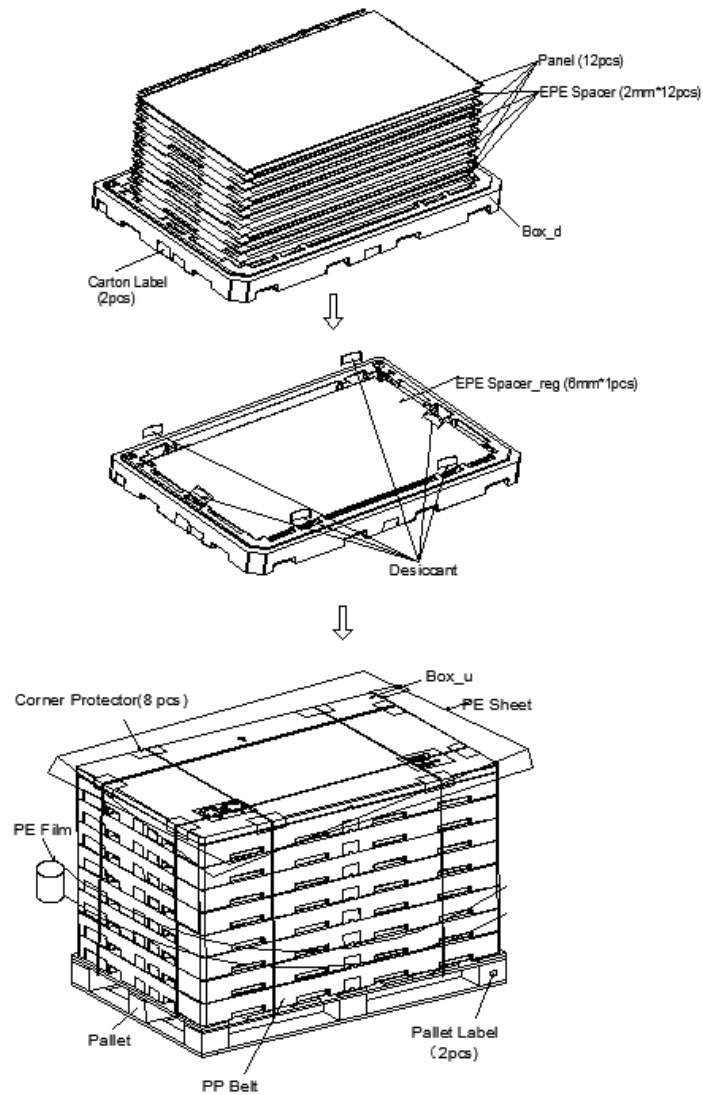


7.2 Packing

7.2.1 Packing Specifications

Item	Specification		
	Quantity	Dimension (mm)	Weight (kg)
Packing Box	12pcs/box	1650.00(L) x 1100.00(W) x 127.00 (H)	Net Weight: 44.04 Gross Weight: 51.2
Pallet	1	1700.00 (L) x 1130.00 (W) x 142.00 (H)	Net Weight: 20
Stack Layer	8		
Boxes per Pallet	8		
Pallet after Packing	96pcs/pallet	1700.00 (L) x 1130.00 (W) x 1118.00(H)	Gross Weight: 435

7.2.2 Packing Method

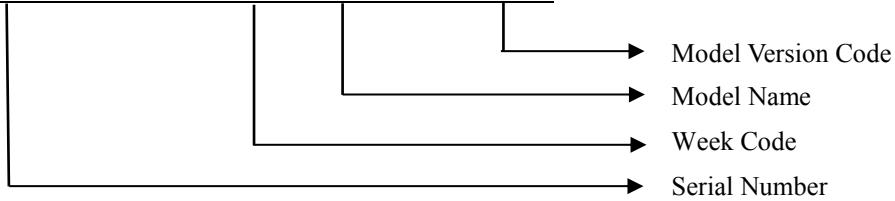


8. Definition of Labels

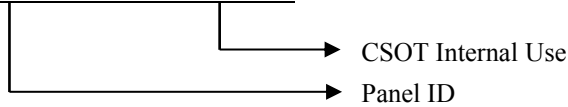
8.1 Open Cell Label



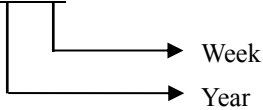
XXXXXXXXXXXXXXXXXXXXXXXXXST6451D02-A Ver. X.X



Serial Number: XXXXXXXXXXXXXXXXXXXXX



Week Code: XXXX



Year: 2010 =10, 2011 = 11 ...2020= 20, 2021= 21...

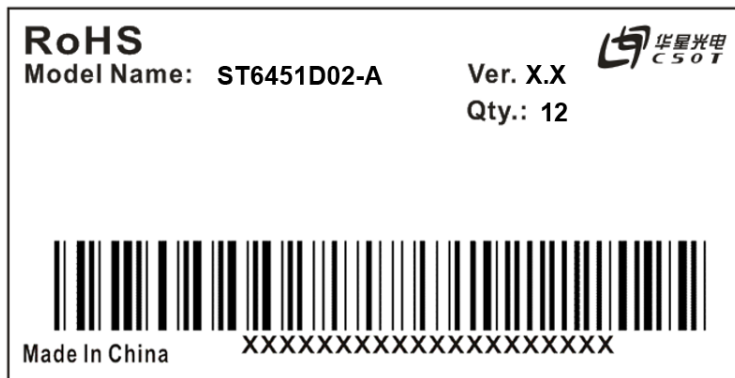
Week: 01, 02, 03 ...

Model Name: ST6451D02-A

Ver.X.X: Version, for example: 0.1, 0.2, ... , 1.1, 1.2, ..., 2.1, 2.2, ...

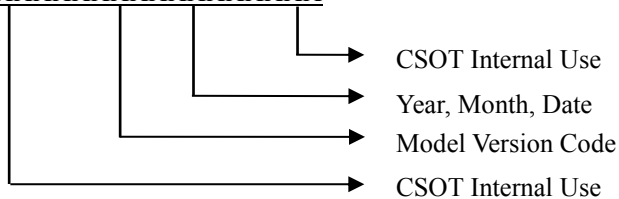
CSOT
Confidential

8.2 Carton Label



For RoHS compliant products, CSOT will add RoHS for identification.

Serial Number: XXXXXXXXXXXXXXXXXXXXX



Manufactured Date:

Year: 2010 =10, 2011 = 11...2020= 20, 2021= 21...

Month: 1~9, A~C, for Jan. ~ Dec.

Date: 01~31, for 1st to 31st

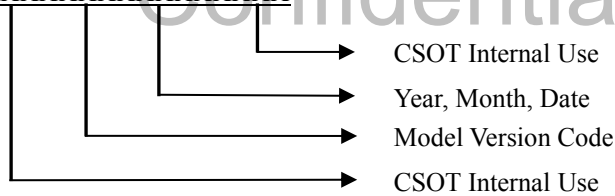
Model Version Code: Version of product, for example: 01, 02, 11, 12...

8.3 Pallet Label



Model Name: ST6451D02-A

Serial Number: XXXXXXXXXXXXXXXXXXXX



Confidential

9. Precautions

9.1 Assembly and Handling Precautions

- (1) The device listed in the product specification sheets was designed and manufactured for TV application only.
- (2) Do not apply rough force such as bending or twisting to the open cell during assembly.
- (3) It is recommended to assemble or install a open cell into the user's system in clean working areas. The dust and oil may cause electrical shorter damage the polarizer.
- (4) Do not apply pressure or impulse to the open cell to prevent the damage to the open cell.
- (5) Always follow the correct power-on sequence. This can prevent the damage and latch-up to the LSI chips.
- (6) Do not plug in or pull out the interface connector while the open cell is in operation.
- (7) Use soft dry cloth without chemicals for cleaning because the surface of polarizer is very soft and easily be scratched.
- (8) Moisture can easily penetrate into the open cell and may cause the damage during operation.
- (9) High temperature or humidity may deteriorate the performance of the open cell. Please store open cell in the specified storage conditions.
- (10) When ambient temperature is lower than 10°C, the display quality might be deteriorated. For example, the response time will become slow.

9.2 Safety Precautions

- (1) If the liquid crystal material leaks from the panel, it should be kept away from the eyes or mouth. In case of contact with hands, skin or clothes, it has to be washed away thoroughly with soap.
- (2) After the open cell end of life, it is not harmful in case of normal operation and storage.