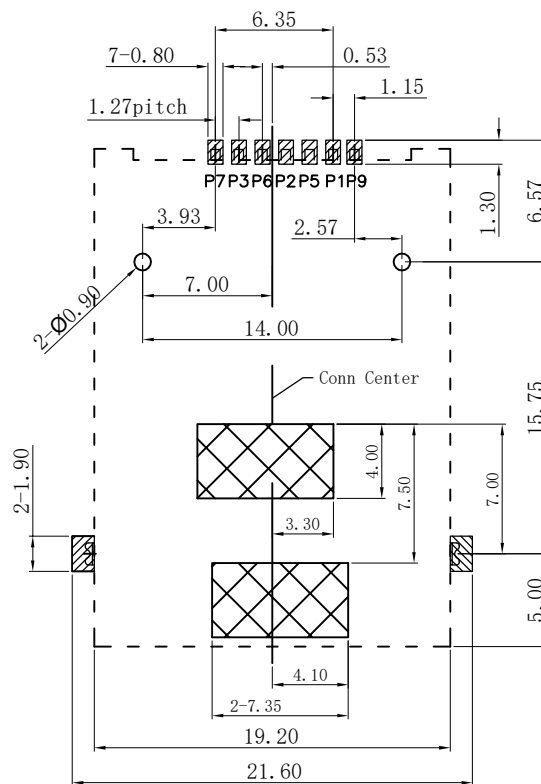
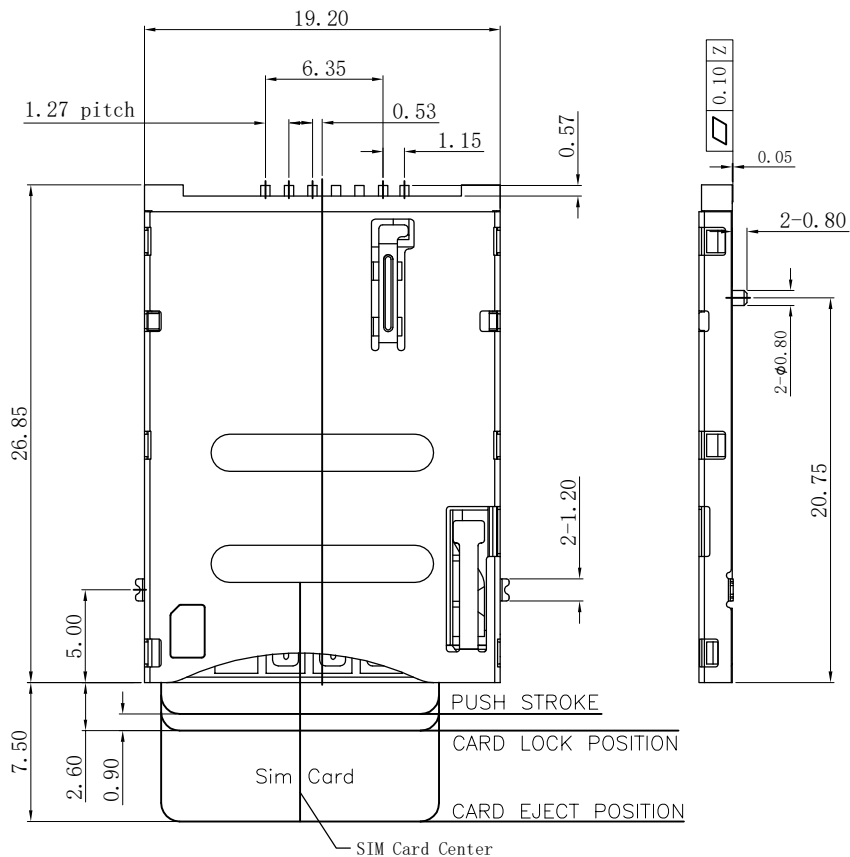


| REV. | ECN.NO. | MODIFY.CONTENT | DATE |
|------|---------|----------------|------------|
| A0 | | NEW | 2012/12/31 |

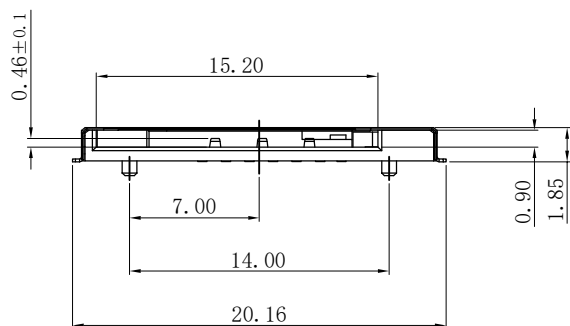


Specification:

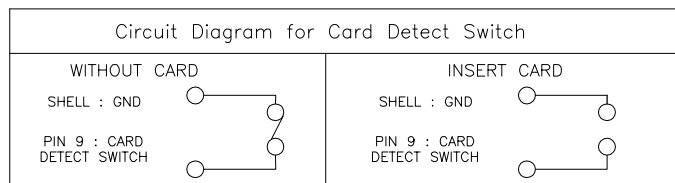
- *Electrical Characteristics:
Current Rating:0.5A.
Withstanding Voltage:AC500V r.m.s.
Insulation Resistance:1000Megohms Minimum at DC 500V
Contact Resistance:100Miliohms Maximum.
- *Mechanical Characteristics:
Mating Cycles:3000 Insertions.
- *Environmentl:
Operating Temperature:-25*To+70*
- *Material:
1.Housing:HI-Temp plastic UL 94V-0 Rated.
2.Contact:Copper Alloy.
3.Shell:SUS.
- *Finish :
1u" Gold plated on conatct area,1u"Min Au plated on solder tails, Base Nickel :50u"Min
- *Packing:
Number of connectors:750Pcs/REEL

RECOMMENDED PCB LAYOUT
GENERAL TOLERANCE ±0.05

- PAD AREA
- FORBIDDEN AREA

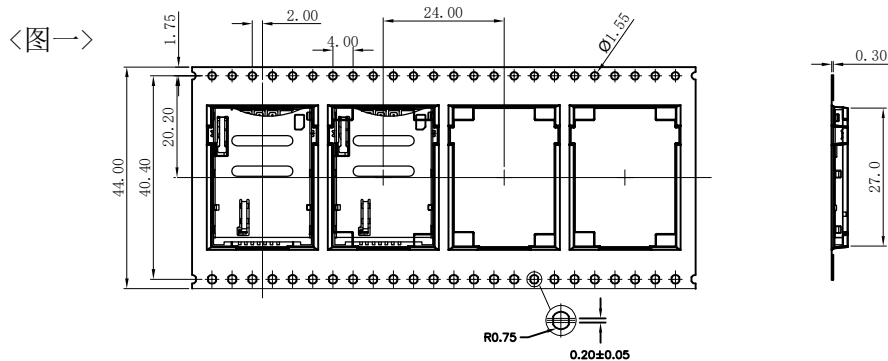


| Connector terminal NO. | Pin NO. |
|------------------------|------------------------------|
| Pin 1 | VCC:PWR signal and GND |
| Pin 2 | RST:Reset signal |
| Pin 3 | CLK:Clocking signal |
| Pin 5 | GND:PWR signal and GND |
| Pin 6 | VPP:Porgramming Voltage |
| Pin 7 | I/O:Serial date input/output |



| GENERAL TOLERANCE | | DWG NO. | JYSA20121231 | APPD: | Scale | 1:1 |
|-------------------|-------------|--|-----------------------------------|-------|------------|------------|
| X.±0.45 | x.*±5° | Title | SIM CARD PUSH PUSH (6+1PIN)有柱14.0 | CHKD: | UNIT | mm |
| .X±0.35 | .x.*±2° | | | DR: | Visual | |
| .XX±0.25 | .xx.*±1° | Part NO. | JYS-SIM185-038 | Date | 2012/12/31 | Edition A1 |
| .XXX±0.15 | .xxx.*±0.5° | Shenzhen JYSCONN Electronics Co., LTD. | | | | |
| SHEET | 1/2 | | | | | |

| REV. | ECN.NO. | MODIFY.CONTENT | DATE |
|------|---------|----------------|------------|
| AO | | 初版发行 | 2014.05.08 |



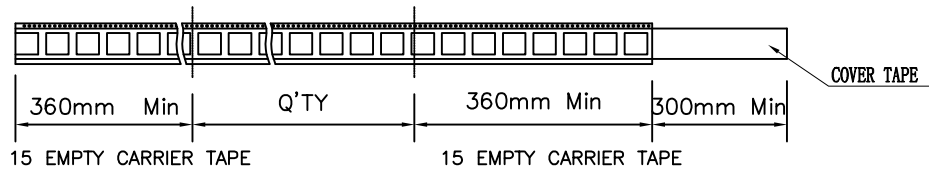
<图一>

<图三>

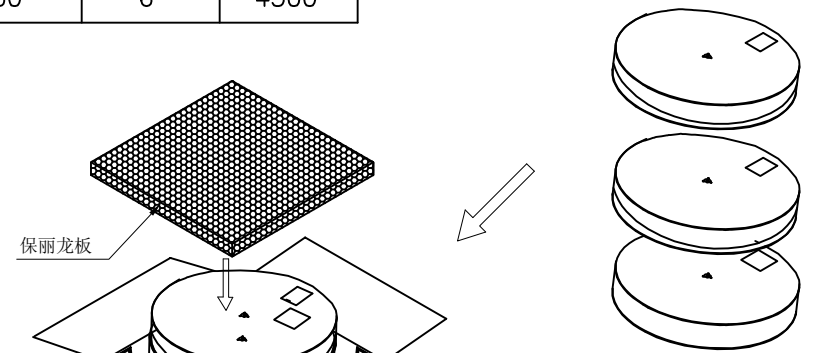
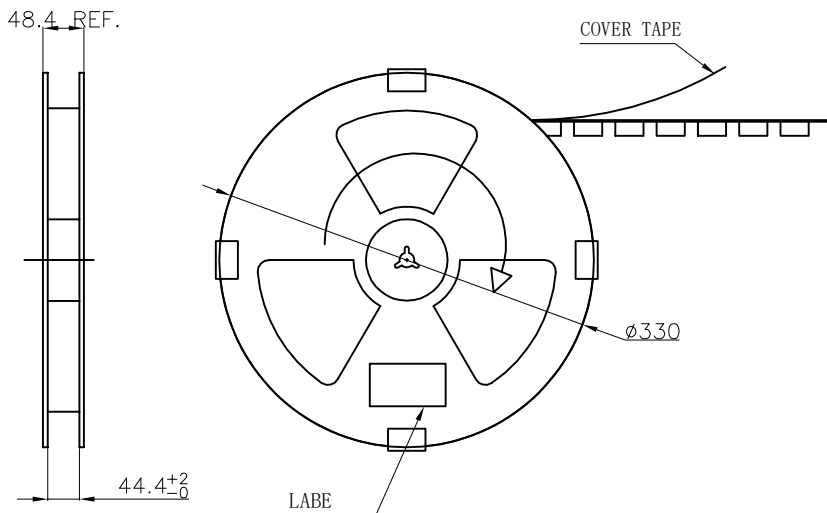
<TABLE 1> PACKAGING QUANTITY

| QTY/REEL | REEL/CARTON | QTY/CARTON |
|----------|-------------|------------|
| 750 | 6 | 4500 |

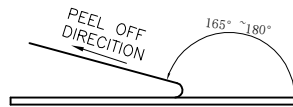
放料方向



<图二>

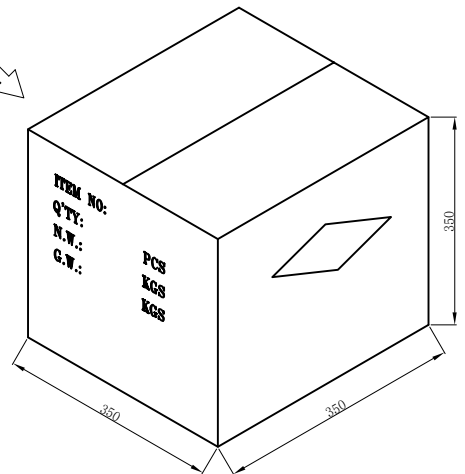


COVER TAPE PEELING FORCE: 50gf~150gf



NOTE:

- 依<图一>示放置产品于下载中, 每穴放置1PCS产品.
- 包装机包好后, 在REEL的个等分点贴上胶带, 以防止REEL张开, 每REEL贴1PCS标签, 如<图二>示
- 包装数量见如<TABLE 1>示
- 包装成箱见如<图三>示
箱底放保利龙板, 再依次将指定数量的卷装产品放入箱内, 四角分别放入四个三角护板, 最上层再放上保利龙板.
- 封箱, 在封好的纸箱上按客户要求写上料号, 数量等



| GENERAL TOLERANCE | | 图号 | 设计 | 比例 | 1:1 |
|-------------------|------------|--|--------------------------------------|----|------------|
| X.±0.45 | x.±5' | 品名 | PUSH SIM CARD 6+1PIN 1.85H -- 包装图 | 审核 | 单位 mm |
| .X±0.35 | .x'±2' | | | 核准 | |
| .XX±0.25 | .xx'±1' | 料号 | JYS-SIM185-038 | 日期 | 2012/12/31 |
| .XXX±0.15 | .xxx'±0.5' | 页号 | 2/2 | | |
| | | Shenzhen JYSCONN Electronics Co., LTD. | | | |