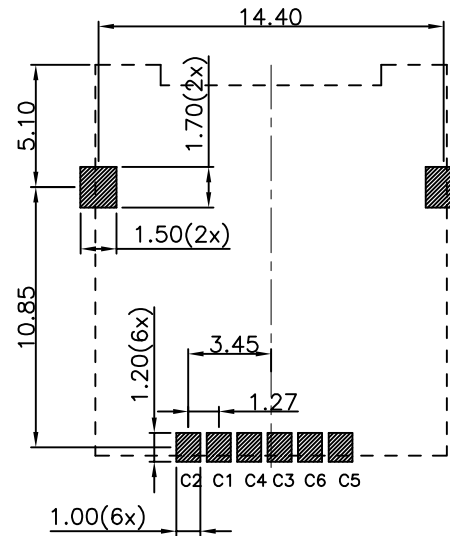
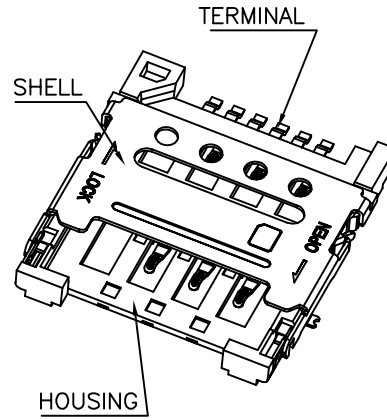
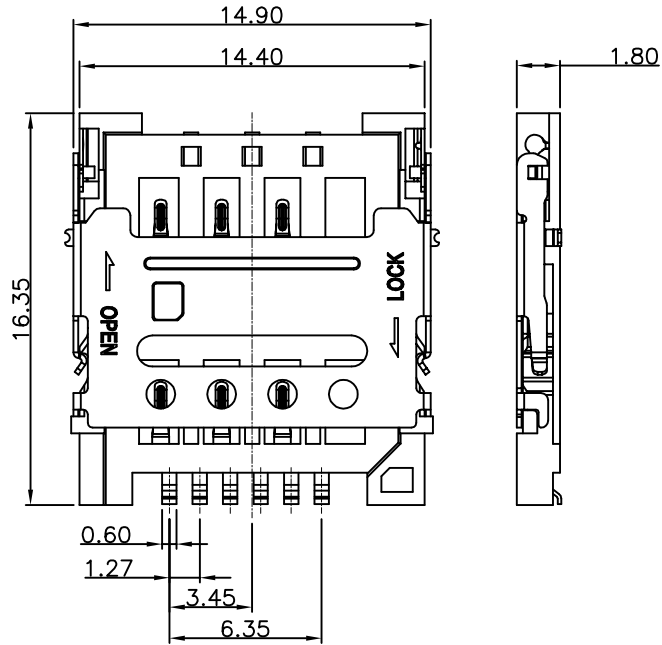
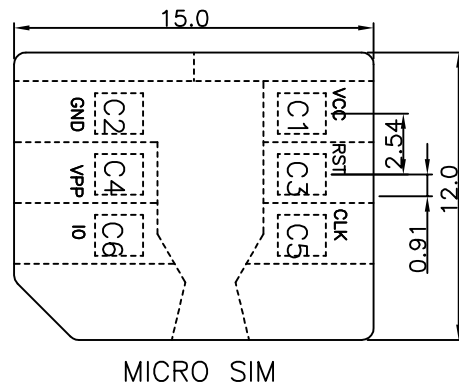
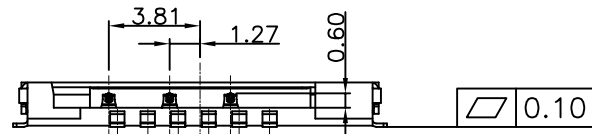


REV.	ECN.NO.	MODIFY.CONTENT	DATE
A0		NEW	2015/04/20



RECOMMENDED PCB LAYOUT(TOP VIEW)
GENERAL TOLERANCES:±0.05



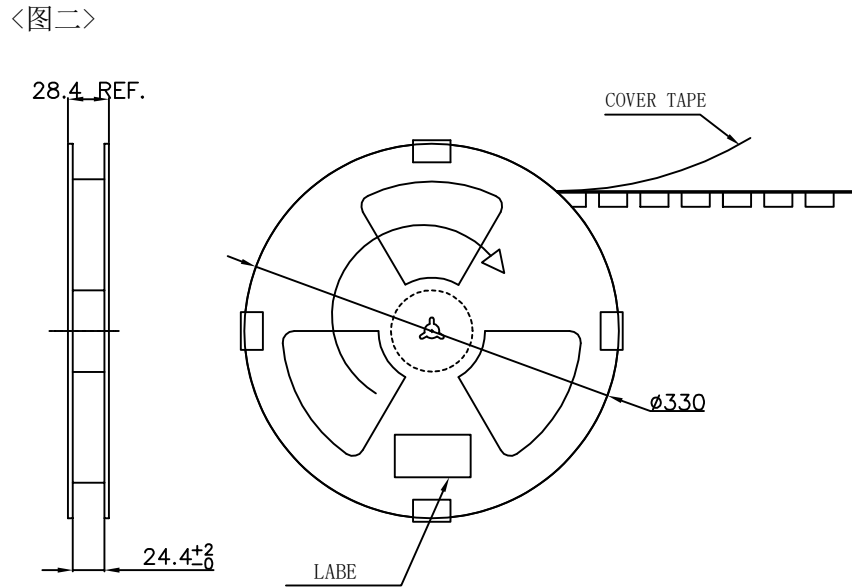
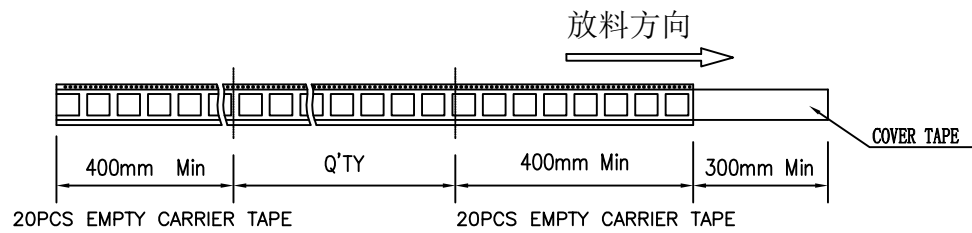
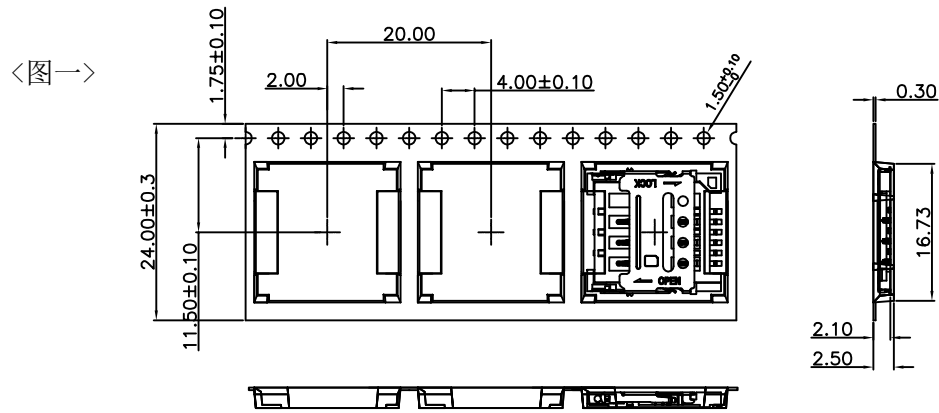
MICRO SIM

- NOTES:
- MATERIAL:
HOUSING: LCP E130i UL 94V-0
CONTACT: C5210R-H T=0.15mm
SHELL: SUS201-H T=0.20mm
 - FINISH :
CONTACT:GOLD FLASH PLATED ON CONTACT AREA 1u"Min ;
GOLD FLASH PLATING ON SOLDER TAILS 1u"Min,
WITH ENTIRE CONTACT UNDERPLATED NICKEL 50u"Min
SHELL: NICKEL UNDERPLATED OVERALL 50u"Min,
 - MECHANICAL CHARACTERISTICS
CONTACT RETENTION: 50gf/pin Min
MATING CYCLE:3000 CYCLES
 - ELECTRICAL CHARACTERISTICS
RATING CURRENT: 1A
RATING VOLTAGE: 30V
CONTACT RESISTANCE: 30 MILLOHMS OHMS MAX
INSULATION RESISTANCE:
a, UNMATED: 1000M OHMS MIN
b, MATED: 100M OHMS MIN
DIELECTRIC WITHSTANDING VOLTAGE:
500V AC/1MINUTE
OPERATING TEMPERATURE: -25°C---+70°C
STORAGE TEMPERATURE: -10°C---+40°C

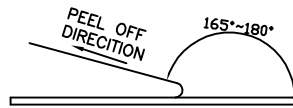
MICRO SIM CARD	
PIN NO.	DESCRIPTION
P1	VCC
P2	GND
P3	RST
P4	VPP
P5	CLK
P6	I/O
P7	RESERVED
P8	RESERVED

GENERAL TOLERANCE		DWG NO.	JYSA20150420	APPD:		Scale	1:1
X.±0.45	x.±5°	Title	MICRO SIM CARD 6PIN 1.80H 掀盖式	CHKD:		UNIT	mm
.XX±0.35	.x'±2°						
.XX±0.25	.xx'±1°	Part NO.	JYS-SIM180-092	Date	2015/04/20		
.XXX±0.15	.xxx'±0.5°						
SHEET	1/2						

REV.	ECN.NO.	MODIFY.CONTENT	DATE
AO		NEW	2015/04/20



COVER TAPE PEELING FORCE: 50gf~150gf



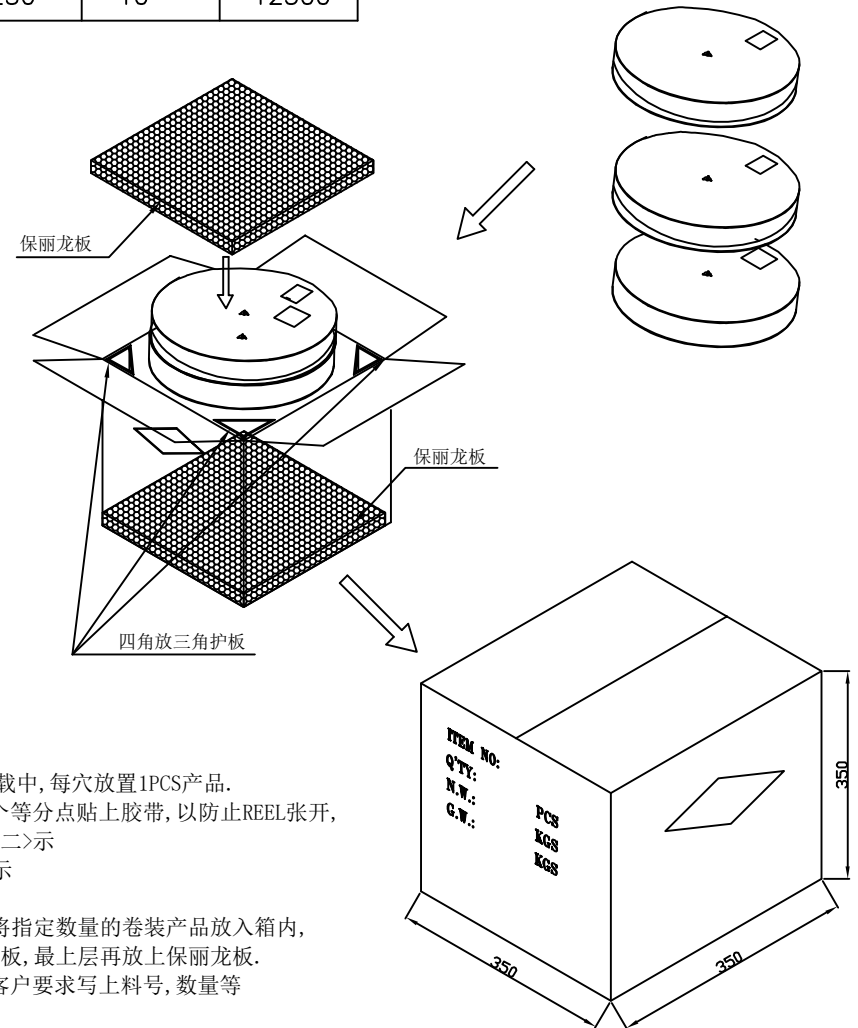
NOTE:

- 依<图一>示放置产品于下载中, 每穴放置1PCS产品.
- 包装机包好后, 在REEL的个等分点贴上胶带, 以防止REEL张开, 每REEL贴1PCS标签, 如<图二>示
- 包装数量见如<TABLE 1>示
- 包装成箱见如<图三>示
箱底放保丽龙板, 再依次将指定数量的卷装产品放入箱内, 四角分别放入四个三角护板, 最上层再放上保丽龙板.
- 封箱, 在封好的纸箱上按客户要求写上料号, 数量等

<TABLE 1> PACKAGING QUANTITY

QTY/REEL	REEL/CARTON	QTY/CARTON
1250	10	12500

<图三>



GENERAL TOLERANCE		图号	设计	比例	1:1
X.±0.45	x.±5'	品名	MICRO SIM 6PIN CARD 掀盖式 包装图	审核	单位 mm
.X±0.35	.x±2'			核准	
.XX±0.25	.xx±1'	料号	JYS-SIM180-092	日期	
.XXX±0.15	.xxx±0.5'				
页号	2/2	Shenzhen JYSCONN Electronics Co., LTD.			