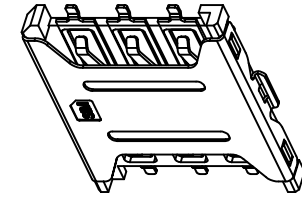
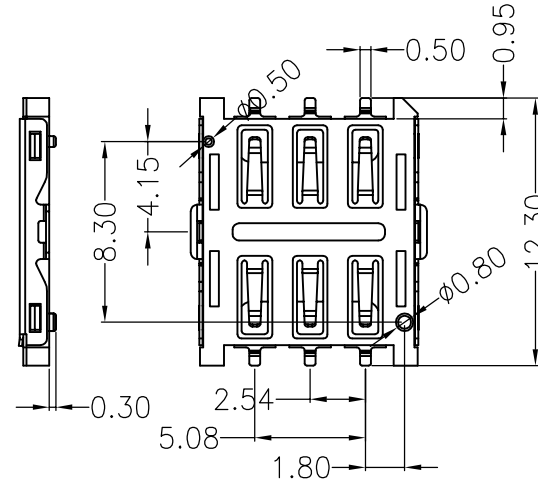
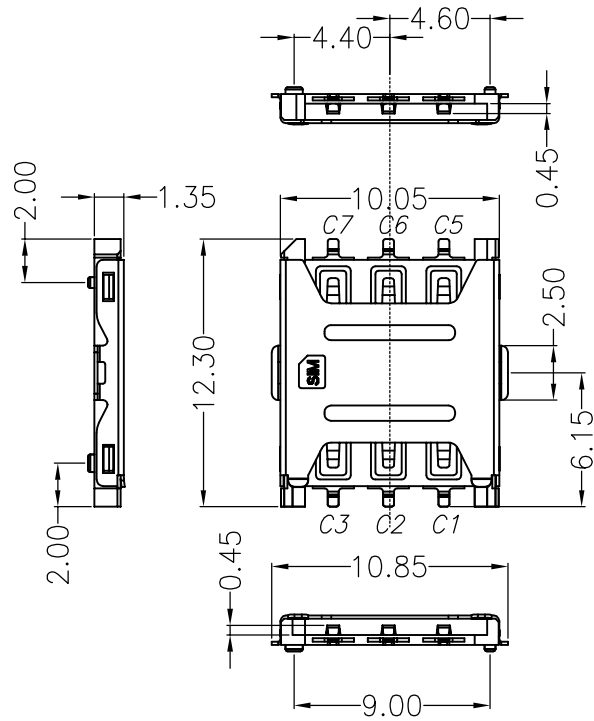
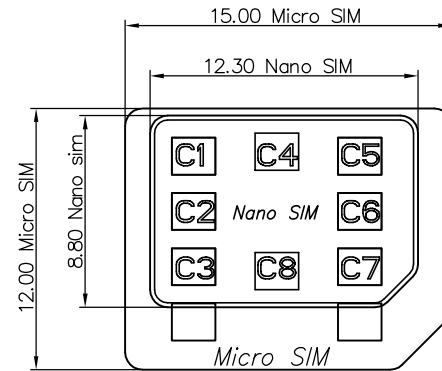
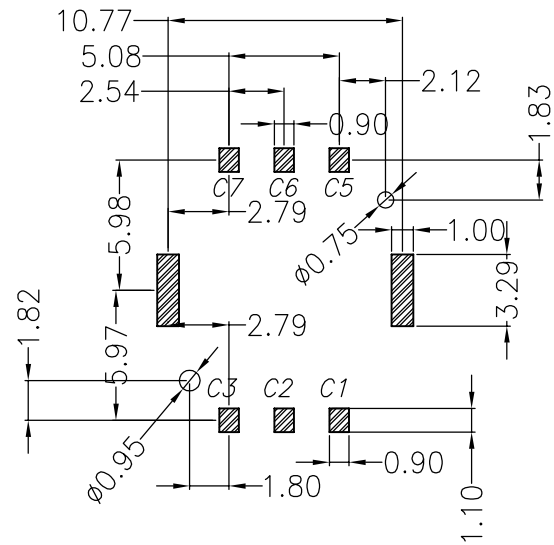


| REV. | ECN.NO. | MODIFY.CONTENT | DATE |
|------|---------|----------------|------------|
| A | | NEW | 2016/05/29 |



| SIM pin assignment | |
|--------------------|----------|
| PIN# | Name |
| C1 | VCC 供电电压 |
| C2 | RST 重置 |
| C3 | CLK 时钟 |
| C5 | GND 接地 |
| C6 | VPP 程序电压 |
| C7 | I/O 输入输出 |



Specification

MATERIAL:

Insulator: High Temperature Thermoplastic, UL 94V-0.
Contact: C5210
SHELL: SUS

PLATING:

Contact: Plated 50u' Ni Overall Contact ALL Au 1U,
Shell: Plated 50u' Ni Overall, PAD Au 1U

Electrical:

Current Rating :0.5mA AC/DC max.
Voltage Rating :125V AC/DC
Ambient Temperature Range :-20° C~+60° C
Storage Temperature Range :-40° C~+70° C
Ambient Humidity Range :95% R.H. Max.
Contact Resistance:100mΩmax.
Insulation Resistance:1000MΩmin./500VDC
Mating Cycles:10,000 Insertions
Reflow peak temp.: 260° C ±5° C, 3~5 S
Mating Cycles:3,000 Insertions Min

| GENERAL TOLERANCE | | DWG NO. | JYSA1229-001 | APPD: | WIND | Scale | 1:1 |
|-------------------|-----------|--|------------------------|-------|------------|-------|-----|
| X.±0.45 | x.±5° | Title | NANO SIM 6PIN 有柱 1.35H | CHKD: | | UNIT | mm |
| .X±0.35 | .x±2° | | | DR: | | | |
| .XX±0.25 | .xx±1° | Part NO. | JYS-SIM135-116 | Date | 2016/05/29 | | |
| .XXX±0.15 | .xxx±0.5° | | | | | | |
| SHEET | 1/1 | Shenzhen JYSCONN Electronics Co., LTD. | | | | | |