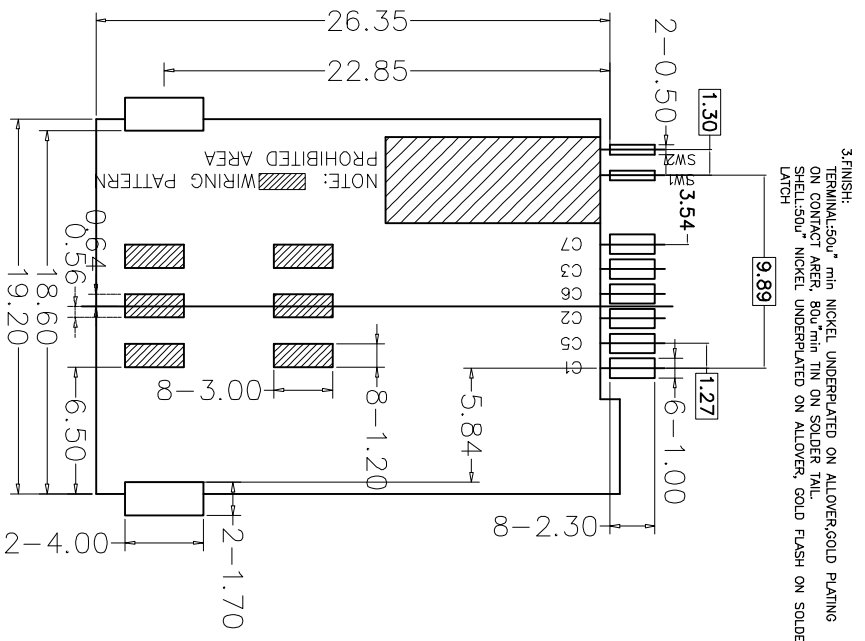
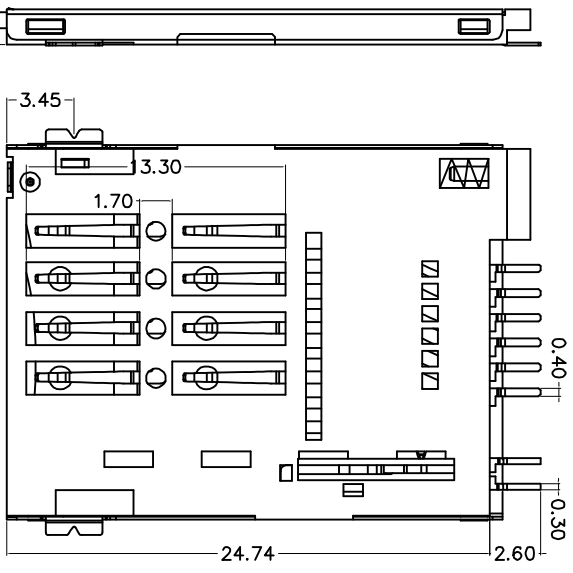
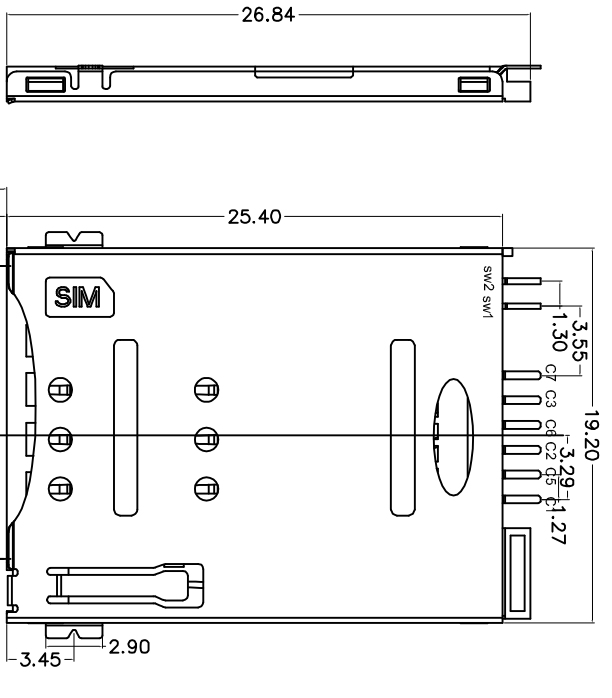
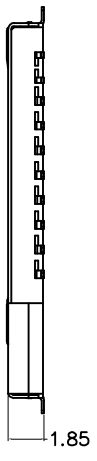


REV.	EGN.NO.	MODIFY/CONTENT	DATE
A		NEW	2013/11/02



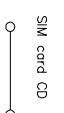
RECOMMENDED PCB LAYOUT

- 1.SPECIFICATIONS
 INSULATION RESISTANCE: 500M min.AT DC 500V DC
 WITHSTANDING VOLTAGE: 250V AC/MS FOR 1 MINUTE
 CONTACT RESISTANCE: 100M max. AT 10MA/20mv max
 CURRENT RATING: 0.5A
 VOLTAGE RATING: 3.0 Vrms
 OPERATING TEMPERATURE RANGE: -40-85 C
 MATING CYCLES: 5000 INSERTIONS
- 2.MATERIAL:
 INSULATOR: H-TEMPERATURE PLASTIC UL 94V-0,
 COLOR:BLACK
 TERMINAL: COPPER ALLOY,T=0.15mm
 SHELL: STAINLESS STEEL,T=0.15mm
- 3.FINISH:
 TERMINAL:50.μ min NICKEL UNDERPLATED ON ALLOVER,GOLD PLATING
 ON CONTACT AREA, 80μ min TIN ON SOLDER TAIL.
 SHELL:50μ NICKEL UNDERPLATED ON ALLOVER, GOLD FLASH ON SOLDER LATCH

CIRCUIT:



WITHOUT SIM CARD



SIM CARD INSERTED

PIN#	Name
C1	VCC
C2	RST
C3	CLK
C4	Reserved
C5	GND
C6	VPP
C7	I/O
C8	Reserved

GENERAL TOLERANCE	DWG NO.	APPD:	Scale
X:±0.25	JYSA1102-003	spring	1:1
X:±0.20			
X:±0.15			
.XXX±0.08			

Title	Part NO.	Date
SIM CARD PUSH (6+2PIN) H=1.85mm 无铅	JYS-SIM185-157	2013/11/02

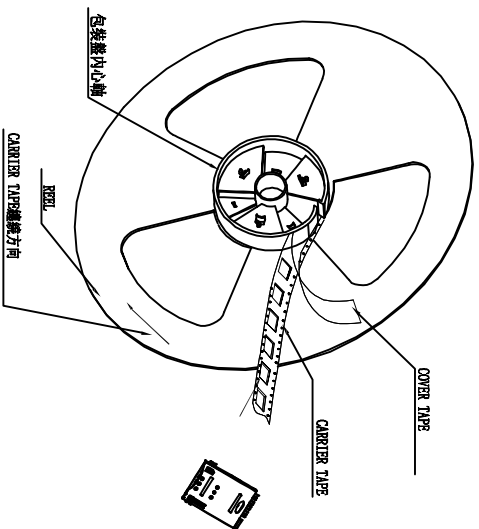
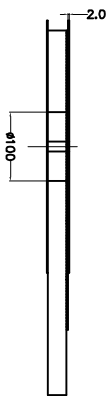
JYS 杰宇森电子有限公司
 JIE YU SEN ELECTRONIC CO., LTD.

REV.	ENG. NO.	MODIFY CONTENT	DATE
A		NEW	2013/11/02

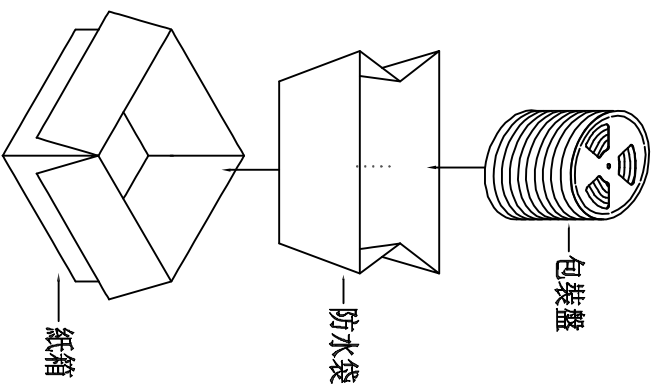
包裝作業規範

包裝作業圖示及說明 (PACKING OPERATION DIAGRAM & INSTRUCTION)

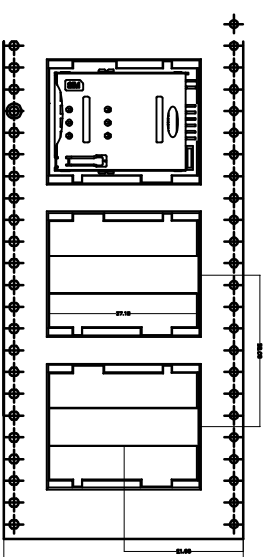
- 1) 將成品一一放入包裝盤內, 依同一方向放入.
- 2) 包裝時, 如圖所示.
- 3) 一個包裝盤放置700個成品.



- 1) 一只紙箱可放置3個包裝盤.
- 2) 一只紙箱可放2100PCS的成品.
- 3) 將成品放入包裝盤內包裝完後再裝箱.



- 1) REEL 載帶尺寸圖.



Note: PULL OUT DIRECTION →

1. 1.10 sprocket hole pitch cumulative tolerance ± 0.2
2. Carrier camber is within 1 mm in 250mm.
3. Material: Black Conductive Polystyrene Alloy 100
4. All dimensions meet EIA-481-B requirements.
5. Thickness: 0.3 ± 0.05 mm.
6. Component load per 13" reel: 700 pcs.
7. A box of 3 volumes: 2100PCS
8. 紙箱規格: 345*345*165, 紙箱重為300g
9. 重量: 每盤700PCS重1470g, 每箱重1.38/Pcs

GENERAL TOLERANCE		DWG NO.	JYSA1102-003	APPD:	spring	Scale	1:1
X ± 0.25	X $\pm 5^{\circ}$	Title	SIM CARD PUSH (6+2PIN)	CHKD:		UNIT	mm
X ± 0.20	X $\pm 2^{\circ}$	Part NO.	JYS-SIM185-157	DR:			
.XX ± 0.15	.xx $\pm 1^{\circ}$			Date	2013/11/02		
.XXX ± 0.08	.xxx $\pm 0.5^{\circ}$						
SHEET	1/1						