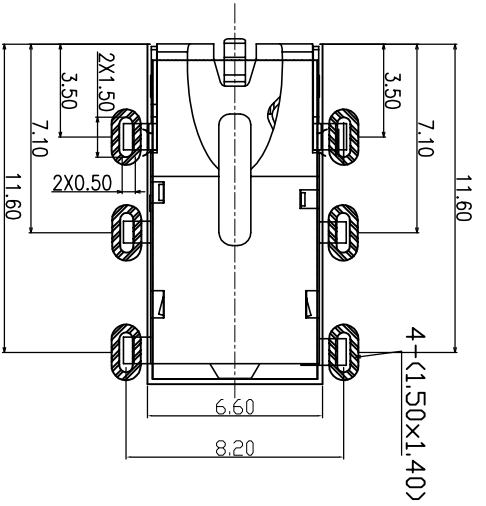
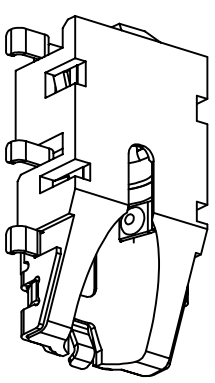
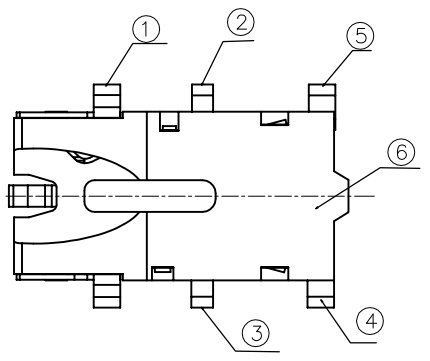
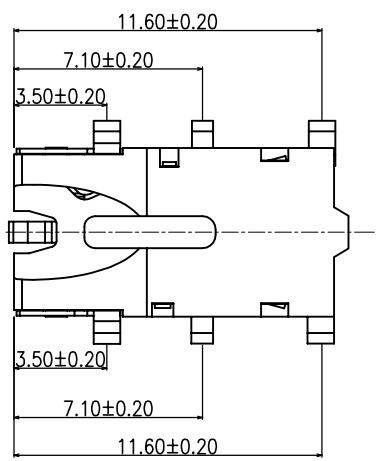
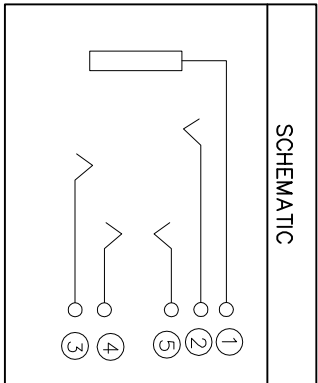
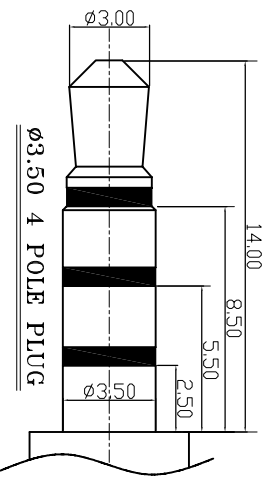
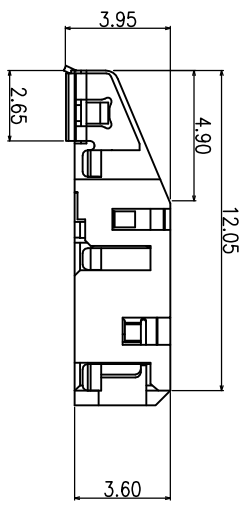
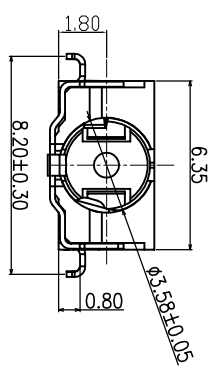


REV.	EGN.NO.	MODIFY CONTENT	DATE
A		NEW	2014/12/31



RECOMMEND PCB LAYOUT
TOLERANCE ±0.05



- NOTES:
1.MATERIAL:
1.1 HOUSING: UI94V-0,COLOR: BLACK
1.2 CONTACT: SUS ALLOY
2.PLATING:
2.1 CONTACTS PLATING: SEE ORDERING INFORMATION
3.RATING
3.1 OPERATING VOLTAGE: 30VAC/DC.
3.2 CURRENT RATING: 0.5A AC/DC.
3.3 OPERATING TEMPERATURE: -25°C~+85°C

GENERAL TOLERANCE		DWG NO.	JYSA1231-001	APPD:	WIND	Scale	1:1
X±0.45	x:±5'	Title	3.50 6PIN 翻口 TYPE JACK 沉深0.8MM	CHKD:		UNIT	MM
X±0.35	x'±2'	Part NO.	JYS-JK360-031	DR:			
.XX±0.25	.xx'±1'		Date	2014/12/31			
.XXX±0.15	.xxx'±0.5'						
SHEET	1/1						

杰宇森电子有限公司
JIE YU SEN ELECTRONIC CO., LTD.