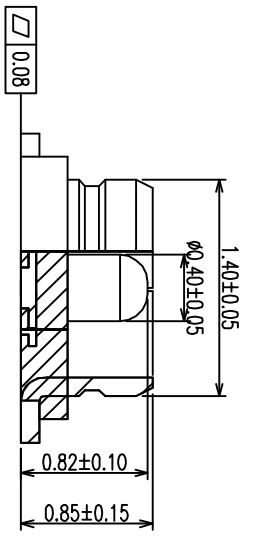
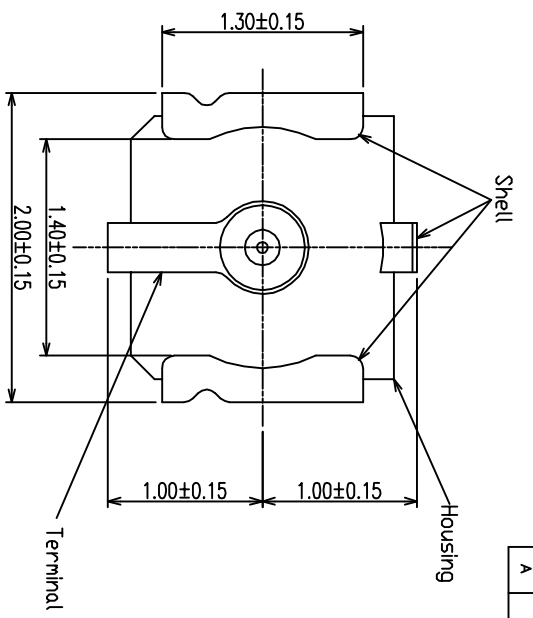
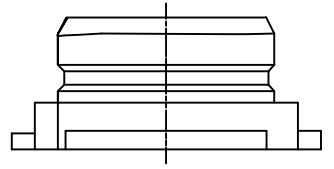
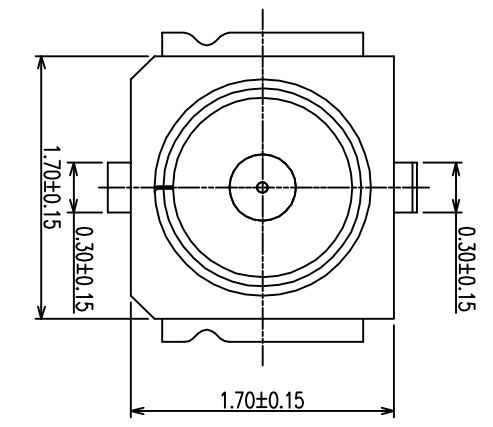
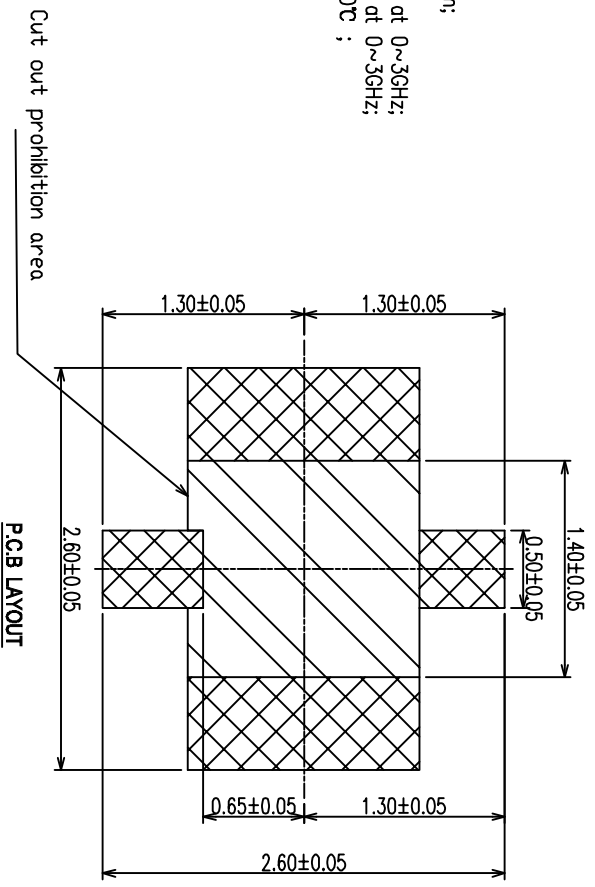
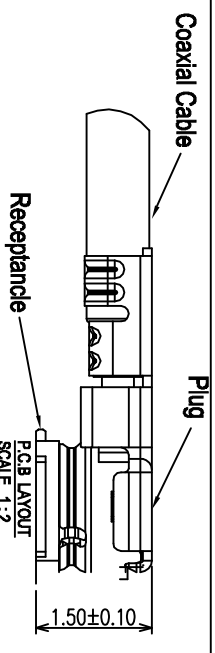


REV.	EGN.NO.	MODIFY/CONTENT	DATE
A		NEW	2011/10/31

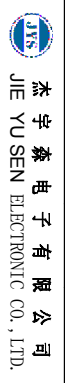


1. Contact Resistance: 20mΩ Max;
2. Dielectric Withstanding Voltage: 100V AC For 1 Minute;
3. Insulation Resistance: 1000M Ω Min;
4. Frequency Range: DC up to 6GHz
VSWR: 1.3 Max. at 0~3GHz;
VSWR: 1.3 Max. at 0~3GHz;
5. Operating Temperature: -40°C to +90°C ;



Item	Title	Material/Finish
1	Terminal	Copper Alloy/Gold Plated Over Ni
2	SHELL	Copper Alloy/Au Or Ag Plated Over Ni
3	Housing	High Temp. Plastic UL94V-0/Black

GENERAL TOLERANCE		DWG NO.	JYSA0528-001	APPD.	WMD	Scale	1:1
X±0.45	X:±5°	Title	RF III RECEPTACLE CONN (H=0.85mm)	CHKD:		UNIT	mm
X±0.35	X:±2°	Part No.	JYS-RF085-001	DR:		Date	2014/02/29
.XX±0.25	.XX±1°						
.XXX±0.15	.xxx±0.5°						
SHEET	1/1						



杰宇森电子有限公司
JIE YU SEN ELECTRONIC CO., LTD.