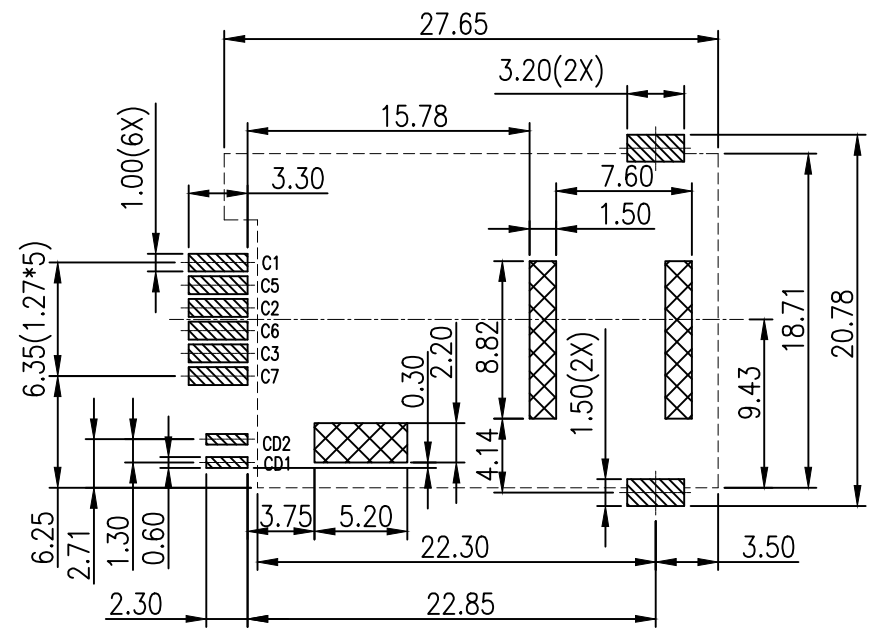
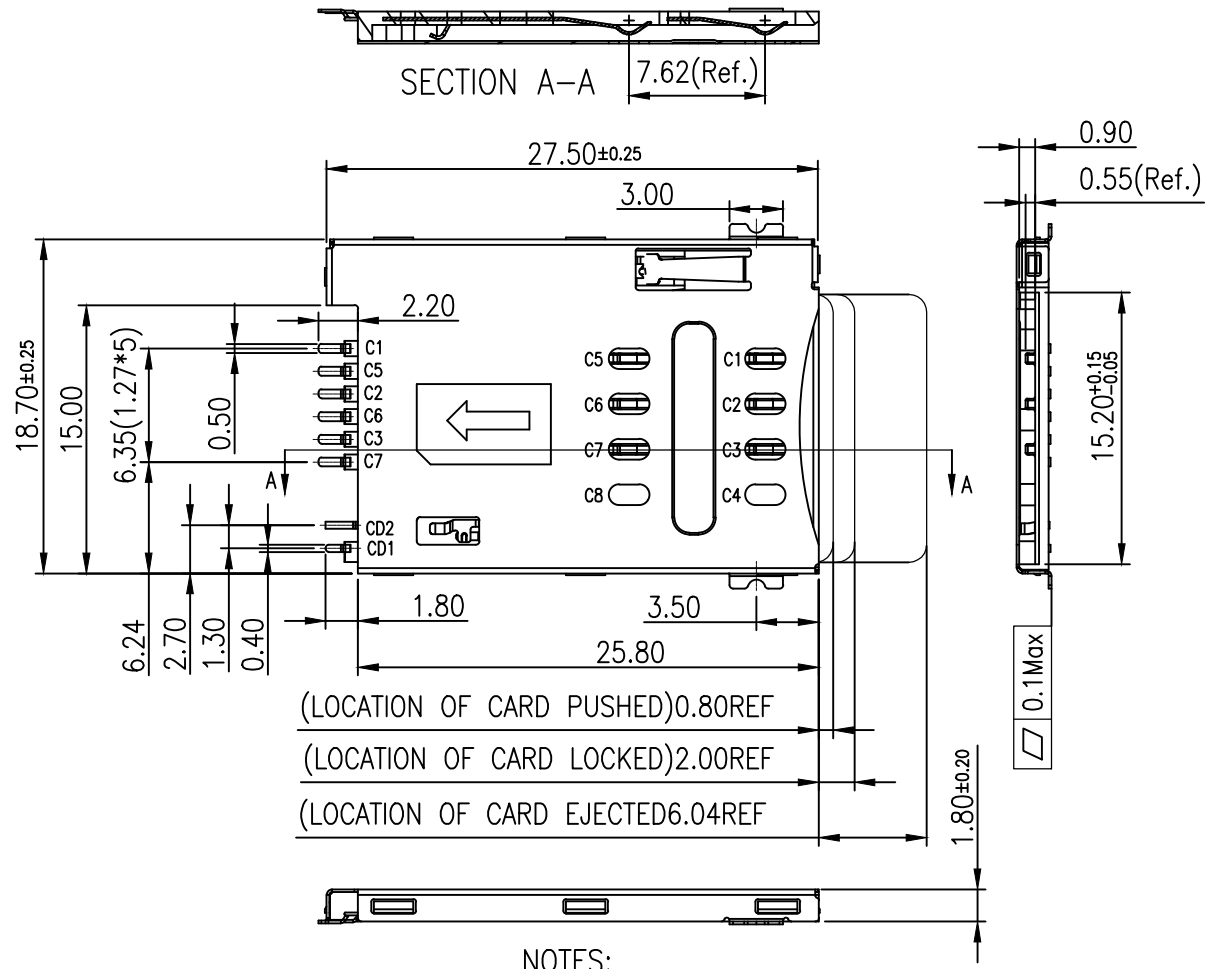


REV.	ECN.NO.	MODIFY.CONTENT	DATE
A0		NEW	2012/12/31



RECOMMENDED P.C.B LAYOUT
COMPONENT SIDE(TOLERANCE ±0.05)

- PAD AREA
- KEEP AREA
- KEEP OUT AREA

(LOCATION OF CARD PUSHED)0.80REF
(LOCATION OF CARD LOCKED)2.00REF
(LOCATION OF CARD EJECTED)6.04REF

NOTES:

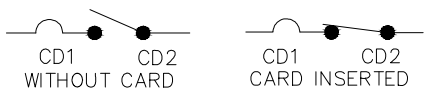
MATERIAL:

Insulator: High Temperature Thermoplastic, UL 94V-0.
Contact: Copper Alloy
CD PIN: Copper Alloy
Shell: STAINLESS

Electrical:

Current Rating :0.5mA AC/DC max.
Voltage Rating :10V AC/DC
Ambient Temperature Range :-40°C~+85°C
Storage Temperature Range :-40°C~+85°C
Ambient Humidity Range :95% R.H. Max.
Contact Resistance:100mΩ max.
Insulation Resistance:1000MΩ min./500VDC
Mating Cycles:5,000 Insertions
Temperature: 260°C ±5°

ELECTRIC FUNCTION	DETECT SWITCH
WITHOUT CARD	OPEN
CARD INSERTED	CLOSED



SWITCH OPERATION DIAGRAM

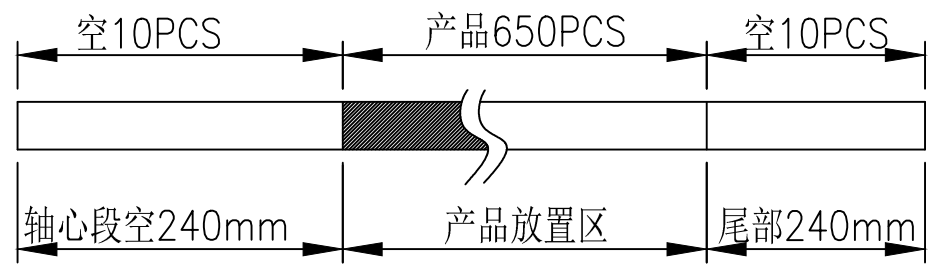
ITEM	PART NAME	Q'TY	MATERIAL	FINISH
1	HOUSING	1	Hi-temp Thermoplastic	Black UL94V-0
2	SHELL	1	Stainless Steel	SMT area:Gold plated
3	DATA CONTACT	1	Copper Alloy	Contact area:Gold plated
4	HEART CAM	1	Hi-temp Thermoplastic	Black UL94V-0
5	COLL SPRING	1	SWP.	
6	CAM PIN	1	Stainless Steel	
7	CD2 SWITCH	1	Copper Alloy	Contact area:Gold plated

GENERAL TOLERANCE		DWG NO.	JYSA20121231	APPD:		Scale	1:1
X.±0.45	x.±5°	Title	SIM CARD PUSH PUSH 1.8H (6+2PIN)无柱	CHKD:		UNIT	mm
.X±0.35	.x'±2°			DR:		Visual	
.XX±0.25	.xx'±1°	Part NO.	JYS-SM180-190	Date	2012/12/31	Edition	A1
.XXX±0.15	.xxx'±0.5°	JYSCONN Shenzhen JYSCONN Electronics Co., LTD.					
SHEET	1/2						

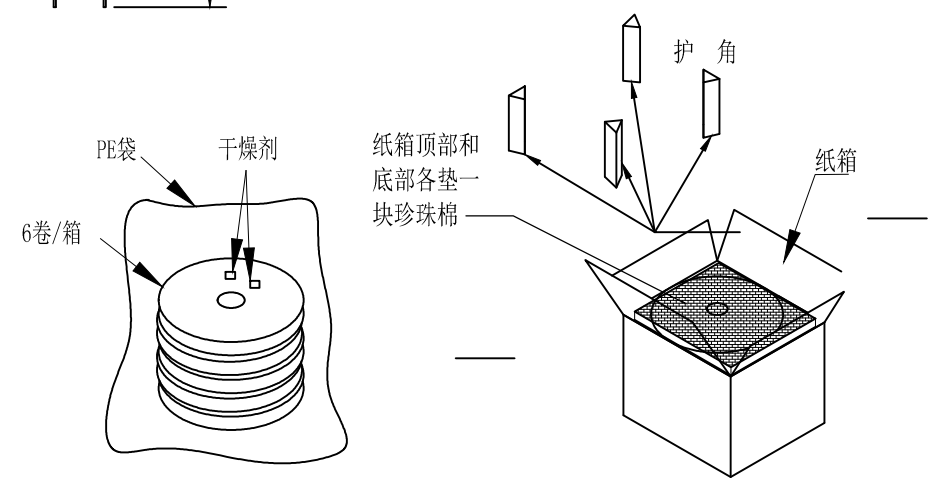
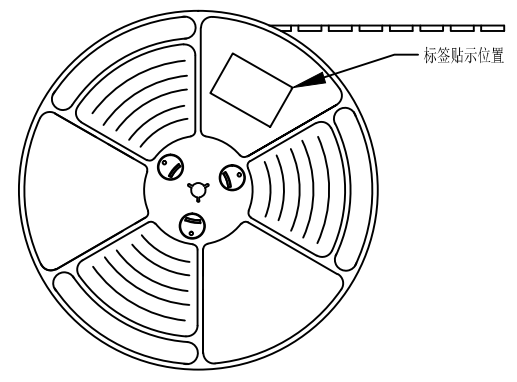
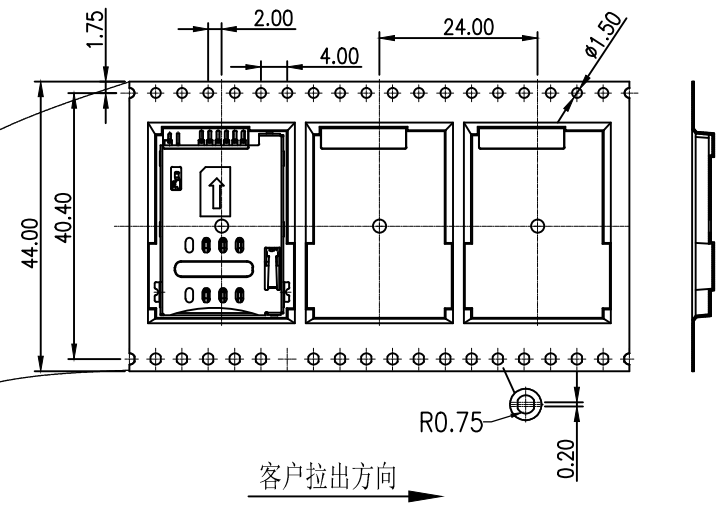
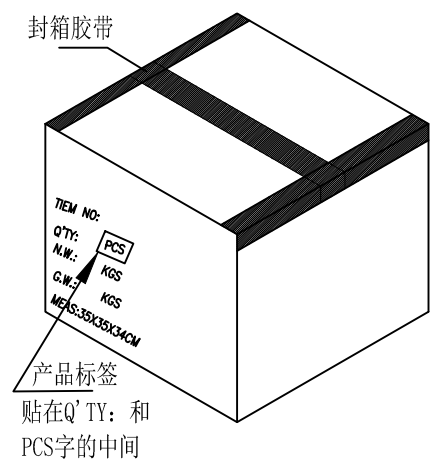
REV.	ECN.NO.	MODIFY.CONTENT	DATE
AO		初版发行	2014.05.08

NOTES

1. 每卷包装数量:650PCS/每卷
2. 卷带包装方式:



3. 每箱包装数量:3900PCS/箱



GENERAL TOLERANCE		图号	设计	比例	1:1
X.±0.45	x.±5'	品名	审核	单位	mm
.X±0.35	.x'±2'		核准		
.XX±0.25	.xx'±1'	料号	日期	2012/12/31	
.XXX±0.15	.xxx'±0.5'				
页号	2/2	Shenzhen JYSCONN Electronics Co., LTD.			