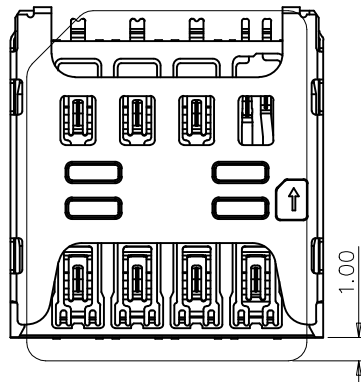
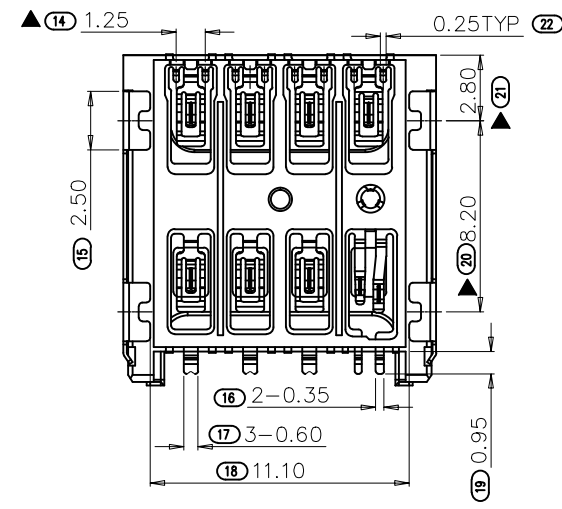
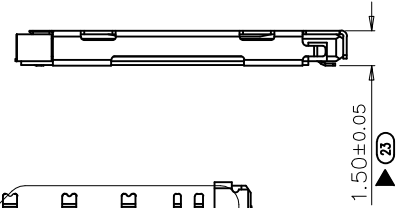
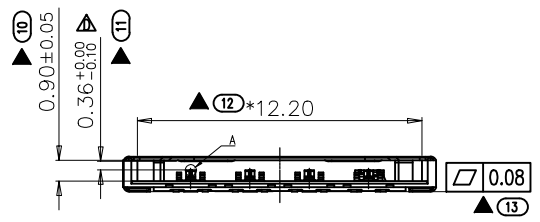
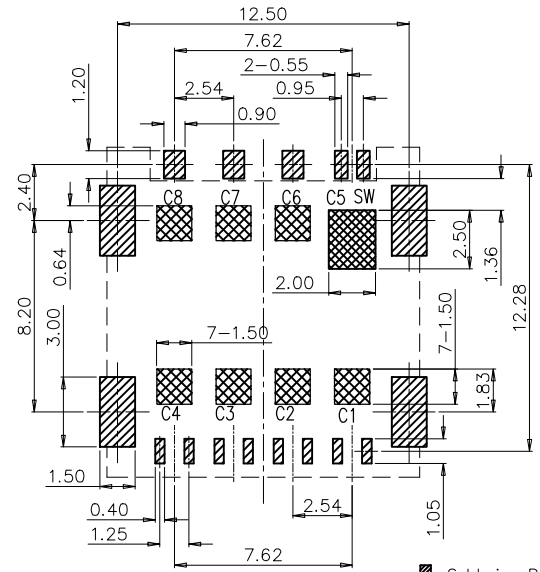
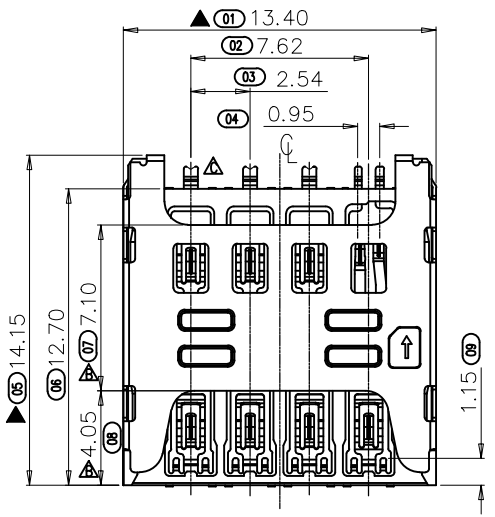


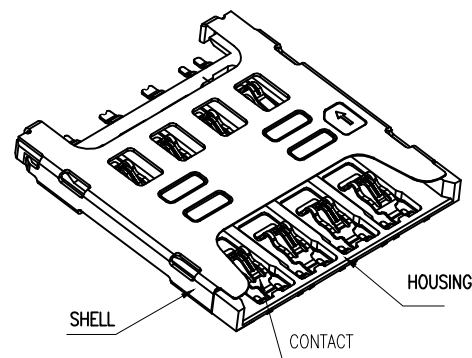
REV.	ECN.NO.	MODIFY.CONTENT	DATE
A		NEW	2014/03/29



RECOMMEND PCB LAYOUT
GENERAL TOLERANCE ±0.05

▨ Soldering Pad area
▩ NO CIRCUIT AREA

- NOTES:
- ELECTRICAL PERFORMANCES:
 - RATING CURRENT: 0.5A.
 - RATING VOLTAGE: 50V AC.
 - CONTACT RESISTANCE: 50mΩ MAX.
 - INSULATION RESISTANCE: 1000MΩ MIN.
 - DIELECTRIC WITHSTANDING VOLTAGE: 250V AC FOR 1 MINUTE.
 - MECHANICAL PERFORMANCE:
 - DURABILITY: 5000TIMES.
 - NORMAL FORCE AT MATING POSITION : 0.2N MIN.
 - OPERATION TEMPERATURE: -35℃~+85℃.
 - EMPHASIS SIZE MARK "*" "



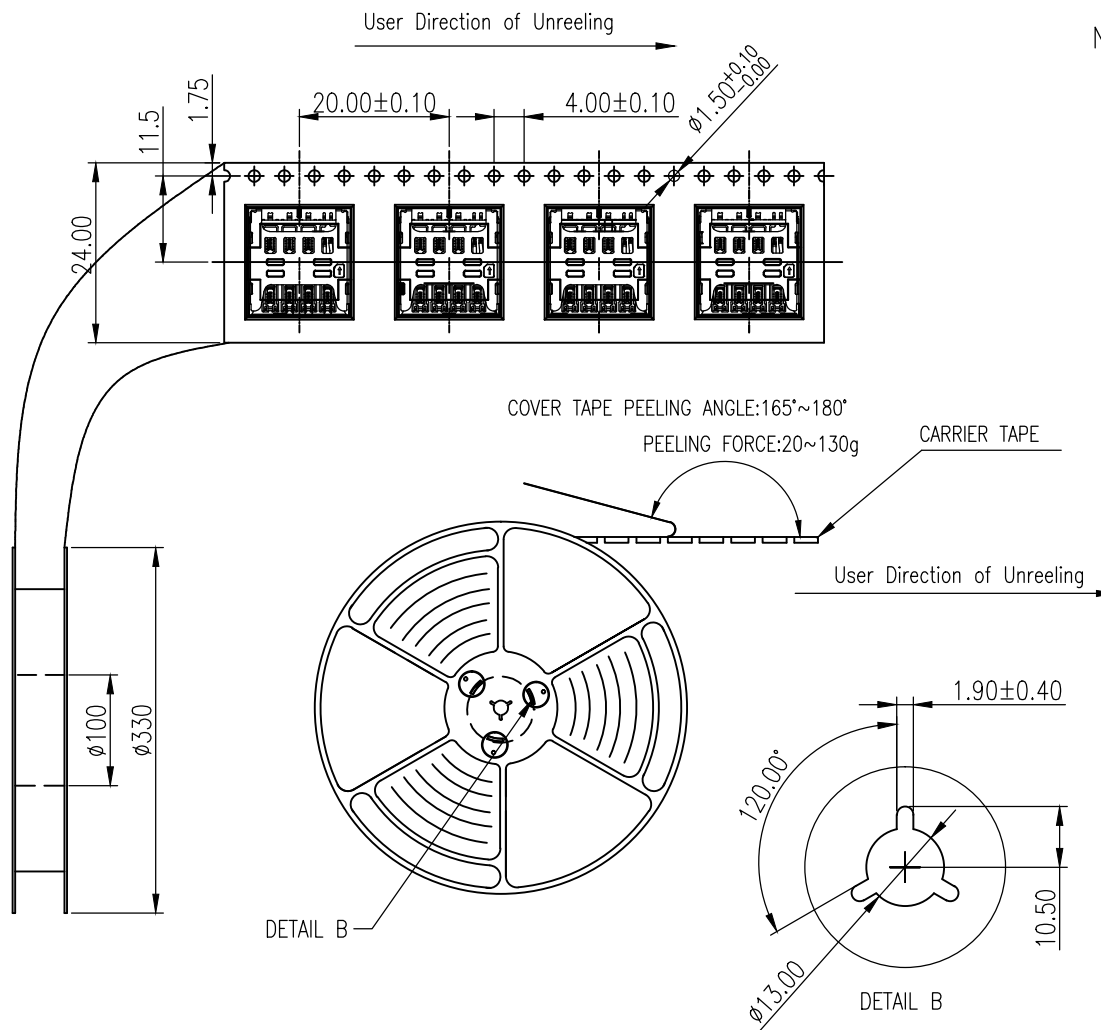
PIN No.	DESCRIPTION
C1	VCC (SUPPLY VOLTAGE)
C2	RST (RESET SIGNAL)
C3	CLK (CLOCK SIGNAL)
C4	RESERVED
C5	GND
C6	VPP (VARIABLE SUPPLY VOLTAGE)
C7	I/O (DATA INPUT/OUTPUT)
C8	RESERVED
SW	DETECT SWITCH

SCHEMATIC:

CARD INSERTION STATE	DETECT SWITCH CIRCUIT STATE	SCHEMATIC
CARD MATED	CLOSED	(D.S) → D.C
CARD UNMATED	OPENED	(D.S) → D.C

ITEM	DESCRIPTION	QUANTITY	MATERIAL	FINISH	REMARK
③	SHELL	1	STAINLESS STEEL	NICKEL 50u" MIN. PLATING OVER ALL GOLD PLATING AT SOLDER AREA	
②	CONTACT	1	COPPER ALLOY	GOLD PLATING AT CONTACT AREA AND SOLDER AREA NICKEL 50u" MIN. PLATING OVER ALL	
①	HOUSING	1	THERMOPLASTIC UL94V-0 COLOR:BLACK		

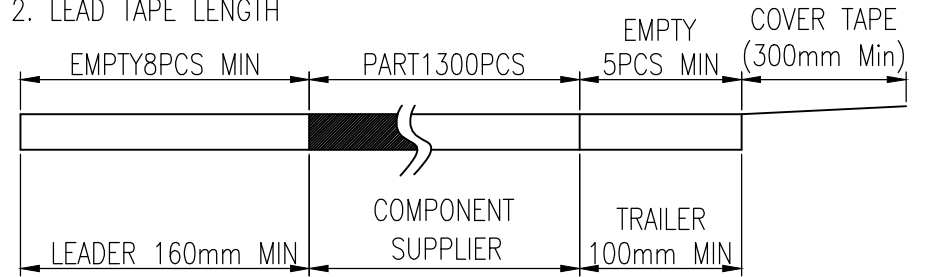
GENERAL TOLERANCE		DWG NO.	JYA1107-001	APPD:	WIND	Scale	1:1
X.±0.45	x.±5°	Title	9PIN MICRO SIM CARD H1.50 (防泼PIN)	CHKD:		UNIT	mm
.X±0.35	.x'±2°	Part NO.	JYS-SIM150-167	DR:			
.XX±0.25	.xx'±1°			Date	2014/03/29		
.XXX±0.15	.xxx'±0.5°						



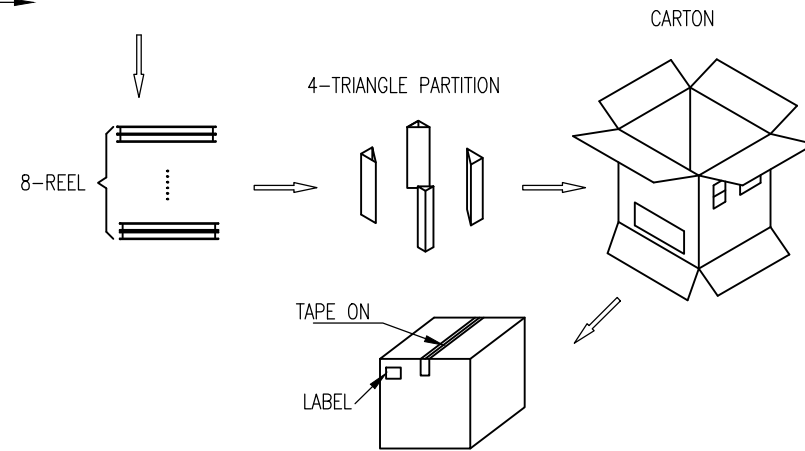
NOTES

1. NUMBER OF CONNECTORS: 1300PCS/REEL

2. LEAD TAPE LENGTH



3. QUANTITY: 10400PCS/CARTON



GENERAL TOLERANCE		DWG NO.	JYSA1107-001	APPD:	WIND	Scale	1:1
X.±0.45	x.'±5'	Title	9PIN MICRO SIM CARD H1.50 (防潰PIN)	CHKD:		UNIT	mm
.X±0.35	.x'±2'			DR:			
.XX±0.25	.xx'±1'	Part NO.	JYS-SIM150-167	Date	2014/03/29		
.XXX±0.15	.xxx'±0.5'						
SHEET	2/2			Shenzhen JYSCONN Electronics Co., LTD.			