

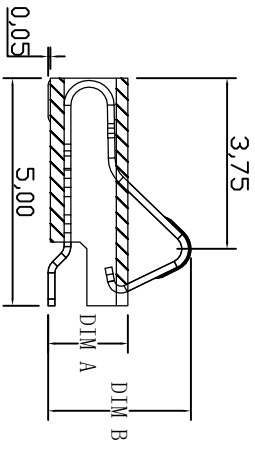
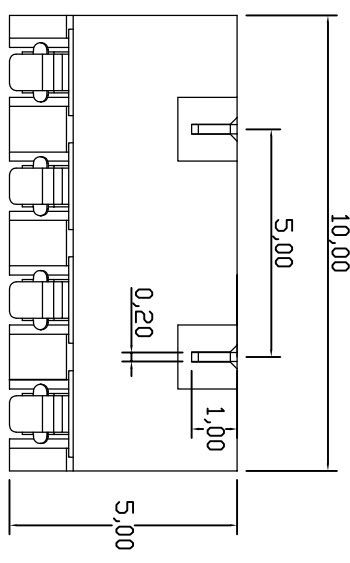
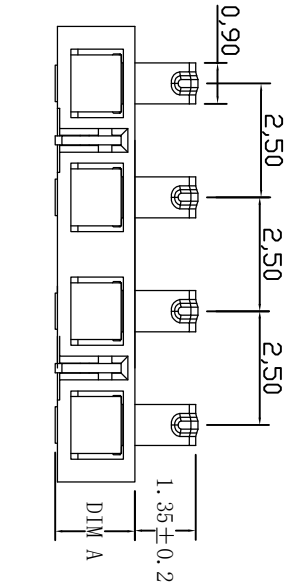
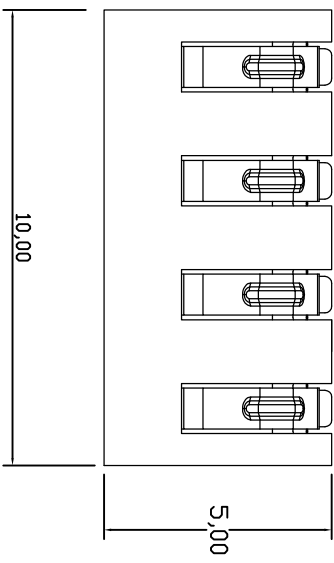
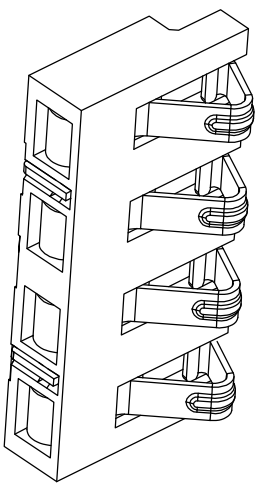
REV.	EGN.NO.	MODIFY.CONTENT	DATE
A		NEW	2011/10/31

**MATERIALS**

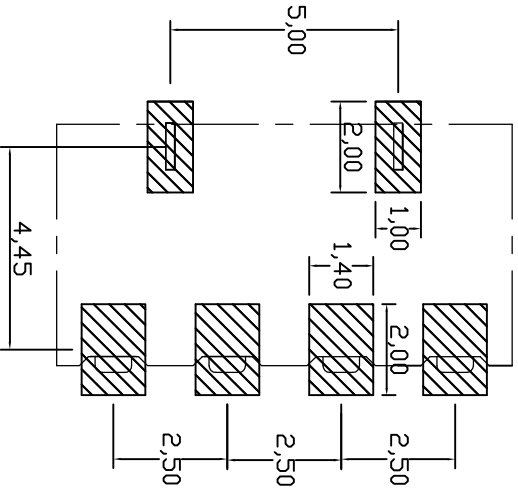
1. HOUSING : THERMOPLASTIC (UL 94V-0) .
2. TERMINAL : COPPER ALLOY,  
PLATING :PLATING SEE TABLE

**SPECIFICATION**

1. CURRENT RATING : 2.0 A. MAX.
2. VOLTAGE RATING : 12V AC.
3. DIELECTRIC WITHSTANDING VOLTAGE :  
500V AC R.M.S. FOR 1 MINUTE.
4. INSULATION RESISTANCE : 500MΩ MIN.
5. CONTACT RESISTANCE : 50mΩ MAX.
6. OPERATING TEMPERATURE : -40°C TO +85°C.
7. Solder ability:255±5°C 5±0.5s.



PART NO.	DIM A	DIM B
JYS-BY170-108	1.70	3.05±0.2
JYS-BY200-109	2.00	3.35±0.2



**RECOMMENDED PCB LAYOUT**

TOP VIEW (.XX±0.05)

GENERAL TOLERANCE		DWG NO.	APPD:	WIND	Scale
X±0.45	X:±5°	JYSA1105-04			1:1
X±0.35	X:±2°	BATTERY 4PIN 2.50PITCH WITHOUT POST	CHKD:		mm
.XX±0.25	.XX:±1°	SEE TABLE	DR:		
.XXX±0.15	.xxx:±0.5°		Date	2012/02/29	
SHEET 1/1					

**JYSCONN** Shenzhen  
JYSCONN Electronics Co., LTD.