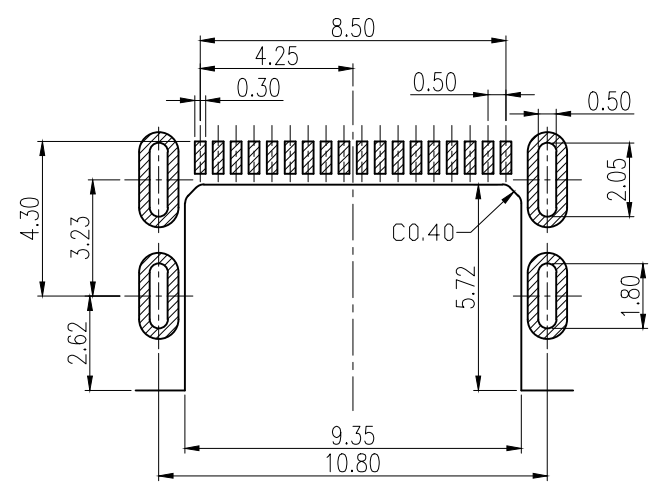
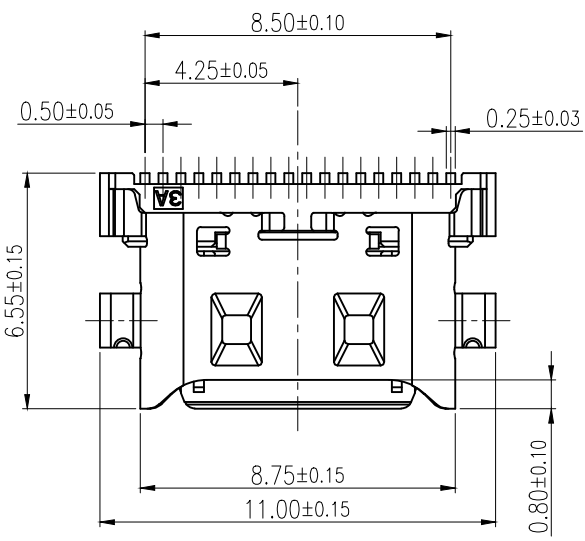


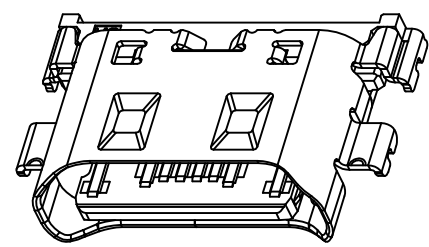
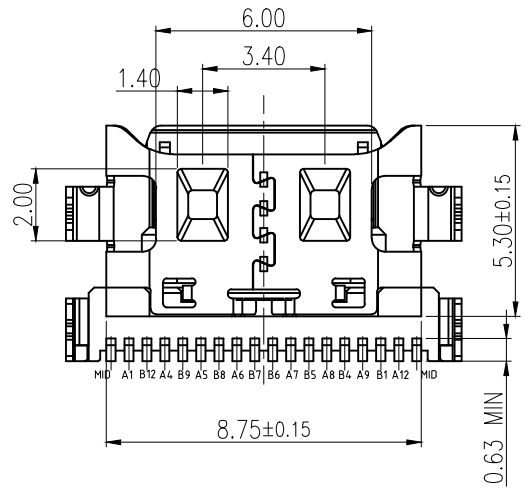
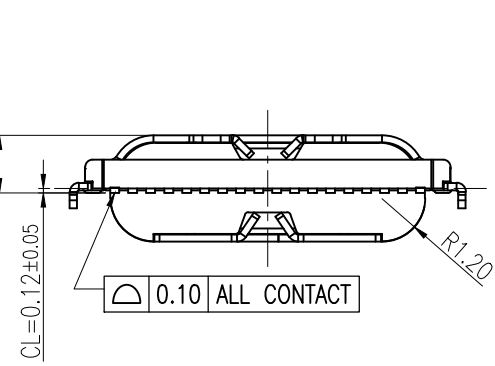
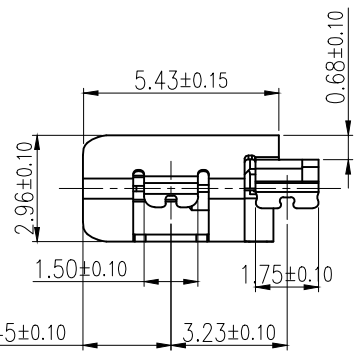
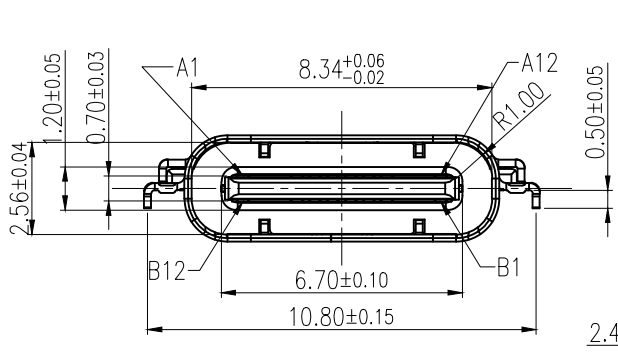
REV.	ECN.NO.	MODIFY.CONTENT	DATE
A		NEW	2019/05/29



- NOTES:
SPECIFICATION:
- CURRENT RATING: 3.0A MAX
 - VOLTAGE: 100 VAC
 - TEMPERATURE RANGE: -30 °C ~ 85 °C
 - CONTACT RESISTANCE: 40 MILLIONHM MAX
 - INSULATION RESISTANCE: 100 MEGOHMS MIN.
 - INSERTION FORCE : 5N~20N
 - UNMATING FORCE: 8N~20N
 - DURABILITY: 10,000 CYCLES

RECOMMENDED P.C.B. LAYOUT
TOLERANCE UNSPECIFIED ±0.05mm

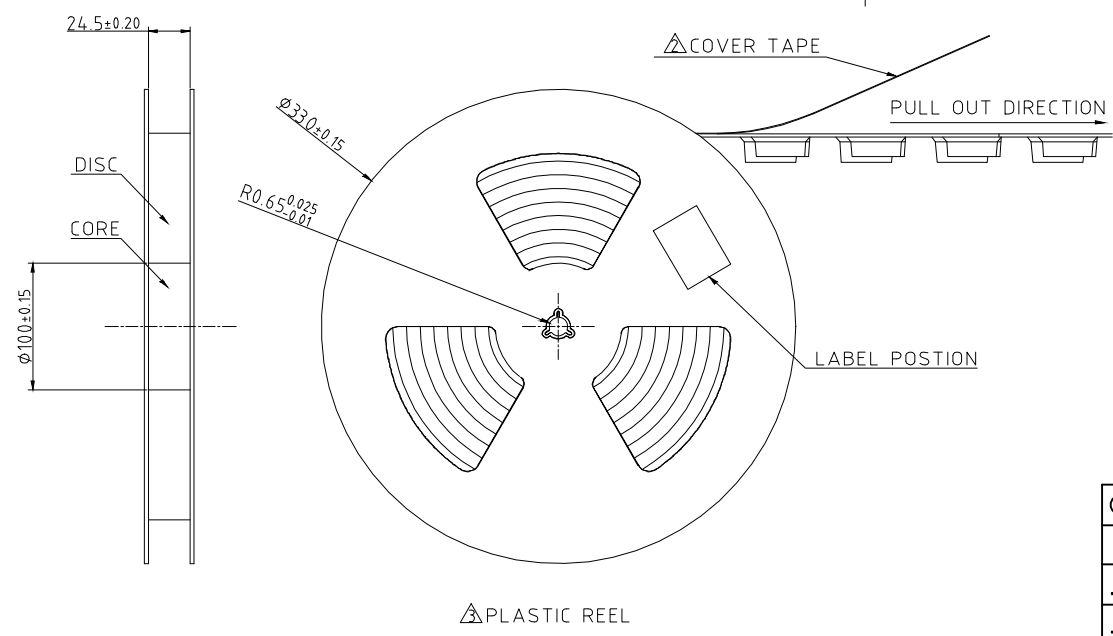
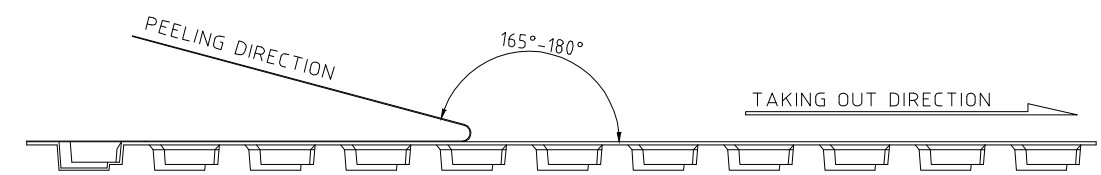
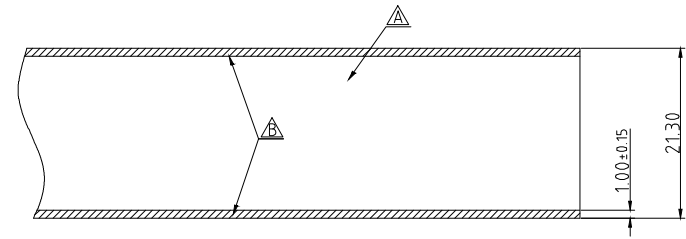
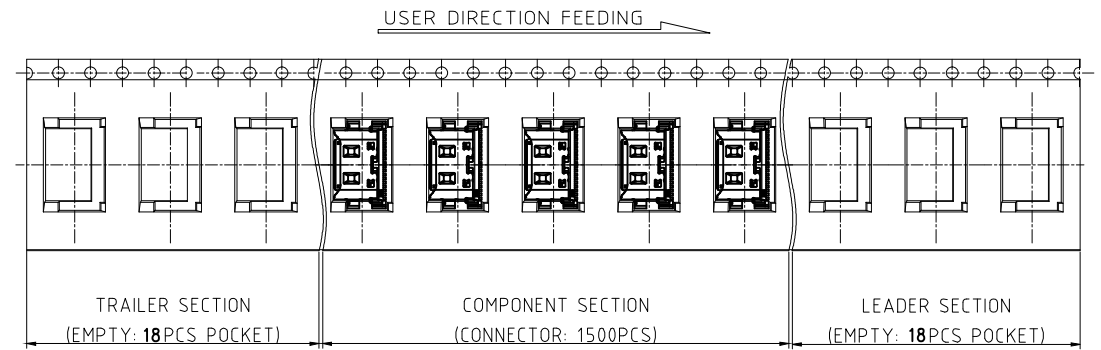
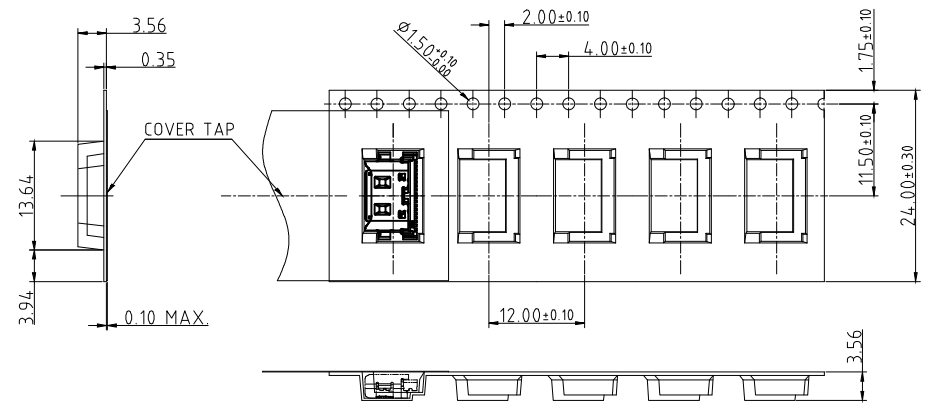
Pin	Name	Pin	Name
A1	GND	B12	GND
	SSTXp1		SSRXp1
	SSTXn1		SSRXn1
A4	VBUS	B9	VBUS
A5	CC1	B8	SBU2
A6	Dp1	B7	Dn2
A7	Dn1	B6	Dp2
A8	SBU1	B5	CC2
A9	VBUS	B4	VBUS
	SSRXn2		SSTXn2
	SSRXp2		SSTXp2
A12	GND	B1	GND



NO.	DESCRIPTION	MATERIAL	REMARKS	QTY
7	SHELL	STAINLESS STEEL	Ti/Ni Plated	1PCS
6	OVER MOLDING	HIGH TEMPERATURE PLASTIC	BLACK	1PCS
5	TOP I/M	HIGH TEMPERATURE PLASTIC	BLACK	1PCS
4	BOTTOM I/M	HIGH TEMPERATURE PLASTIC	BLACK	1PCS
3	MID PLATE	STAINLESS STEEL	Ti/Ni Plated	1PCS
2	CONTACT	COPPER ALLOY	Au/Ni Plated	1SET
1	CONTACT	COPPER ALLOY	Au/Ni Plated	1SET

GENERAL TOLERANCE		DWG NO.	APPD:	WIND	Scale	1:1
X.±0.45	x.±5°	Title	USB C TYPE 16PIN REC.CL=0.12	CHKD:	UNIT	mm
.X±0.35	.x'±2°			DR:		
.XX±0.25	.xx'±1°	Part NO.	JYS-UTC136-135	Date	2019/05/29	
.XXX±0.15	.xxx'±0.5°			JYSCONN Electronics Co., LTD.		
SHEET	1/2					

REV.	ECN.NO.	MODIFY.CONTENT	DATE
A		NEW	2019/05/29



- NOTE:
- 1. CARRIER TAP MATERIAL: PET, THICKNESS: 0.35mm, COLOR: TRANSPARENT
 - 2. TOP COVER TAPE MATERIAL:
 - △ BASE FILM: CONDUCTIVE OR EQUIVALENT THICKNESS: 0.1mm MAX.
 - △ PSA (PRESSURE SENSITIVE ADHESIVE) ON ONE SIDE OF THE BASE FILM.
 - 3. PLASTIC REEL MATERIAL: HIGH IMPACT POLYSTYRENE (CONDUCTIVE)
 - DISC THICKNESS: 2.5mm
 - CORE THICKNESS: 24.5mm
 - COLOR: BLUE
 - 4. PACKING QUANTITY: 1500PCS/REEL;
 - 5. THE DIMENSIONING SHALL BE INTERPRETED PER ASEM Y14.5M-1994

GENERAL TOLERANCE		DWG NO.		APPD:	WIND	Scale	1:1
X.±0.45	x.°±5'	Title	USB C TYPE 16PIN REC.CL=0.12	CHKD:		UNIT	mm
.X±0.35	.x'±2'			DR:			
.XX±0.25	.xx'±1'	Part NO.	JYS-UTC136-135	Date	2019/05/29		
.XXX±0.15	.xxx'±0.5'			Shenzhen			
SHEET	2/2	JYSCONN Electronics Co., LTD.					